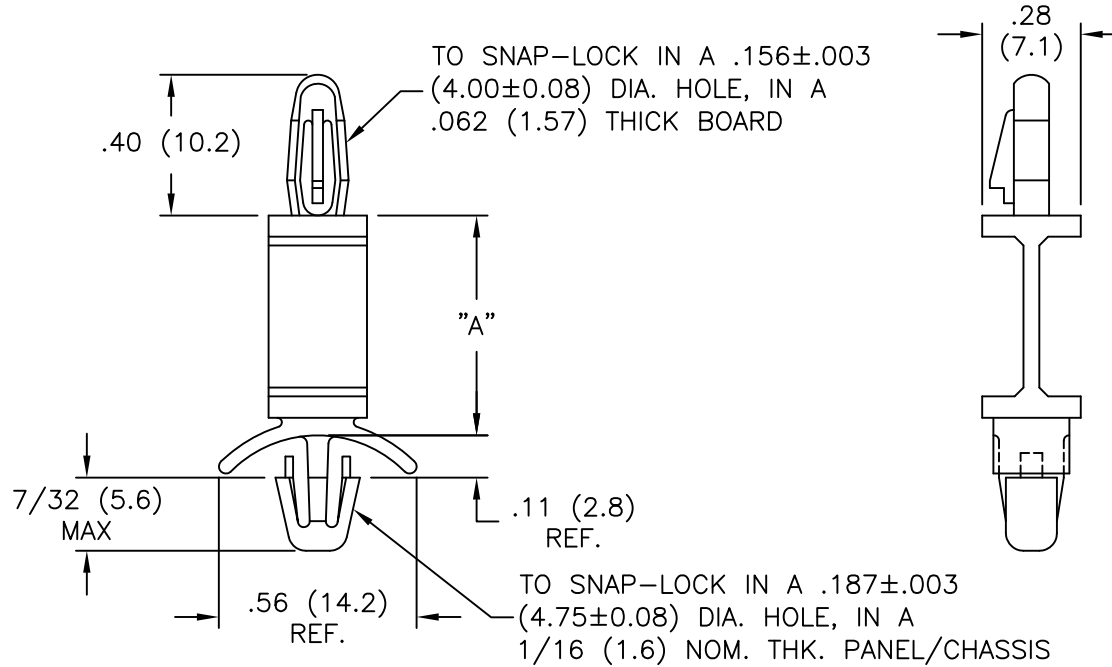


| PART NO. | DIM. "A" |
|-------------|--------------|
| FLCBS-6-01 | 3/8 (9.5) |
| FLCBS-7-01 | 7/16 (11.1) |
| FLCBS-8-01 | 1/2 (12.7) |
| FLCBS-10-01 | 5/8 (15.9) |
| FLCBS-12-01 | 3/4 (19.1) |
| FLCBS-14-01 | 7/8 (22.2) |
| FLCBS-16-01 | 1 (25.4) |
| FLCBS-18-01 | 1-1/8 (28.6) |
| FLCBS-20-01 | 1-1/4 (31.8) |
| FLCBS-22-01 | 1-3/8 (34.9) |



NOTES:

- MAT'L: NYLON 6/6 (RMS-01).
FLAME RETARDANT, NYLON 6/6 (RMS-19),
AVAILABLE BY SPECIAL ORDER-NAFTA REGION ONLY.
- COLOR: NATURAL.

| REV | DESCRIPTION | ENGR | DATE | TITLE: | FILE # | DWN: | APP: | PART # | PRINT TYPE |
|-----|----------------------------------|------|----------|---|------------------|--|------|-----------|------------|
| G | SEE CO 200600 FOR CHANGES | SK | 11.30.10 | FLEXIBLE CIRCUIT BOARD SUPPORT | FLCBS | S.K. | | SEE TABLE | CA |
| F | SEE CO 200598 FOR CHANGES | SK | 11.19.10 | | MAT'L: SEE NOTES | DT: 12.04.08 | DT: | | |
| E | SEE CO 200596 FOR CHANGES | SK | 11.09.10 | TOLERANCES UNLESS NOTED .XX=±.010 .XXX=±.005 FRAC=±1/64 ANG=±1° | RE: RICHCO, INC. | RICHCO INC. PO BOX 804238, CHICAGO, 60680 (773) 539-4060 | | | |
| D | SEE CO 200288 FOR CHANGES | SK | 12.04.08 | | | | | | |
| C | SEE ECN #862 FOR CHANGES | SM | 10.04.04 | | | | | | |
| B | CHANGED FILE NO. AND TITLE BLOCK | SM | 05.14.02 | | | | | | |
| A | MAT'L RMS-19 ADDED | J.L. | 12.10.97 | | | | | | |
| REV | DESCRIPTION | ENGR | DATE | | | | | | |