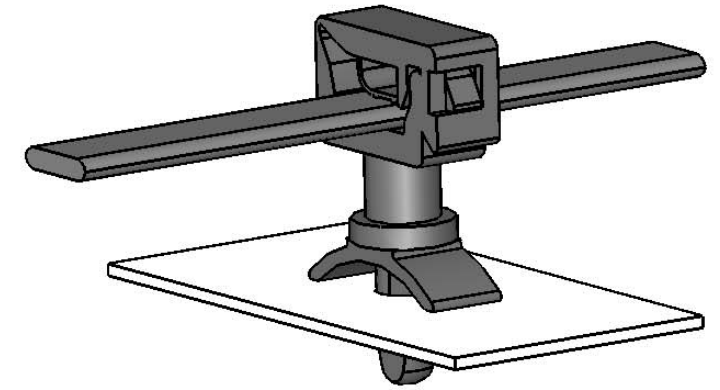


REV.	MODIFICATION.	DATE	DRN
01	Production Release	22/08/08	PH
02	CO2010389	15/09/08	SF
03	CO2010445	16/10/08	SF
04	CO2010458	02/11/08	OW
05	CO2010776	24/08/09	PH



NOTE:
 1a) METRIC PRIMARY UNITS:mm
 1b) IMPERIAL SECONDARY UNITS: [inches]
 2) PART AVAILABLE IN NYLON 6/6 UL94-V0 (RMS-19) BY SPECIAL ORDER.

INFORMATION CONTAINED IN THIS DOCUMENT IS CONFIDENTIAL TO RICHCO INTERNATIONAL Co. Ltd. AND MAY NOT BE DISCLOSED OR REPRODUCED IN WHOLE OR PART WITHOUT THEIR WRITTEN CONSENT.

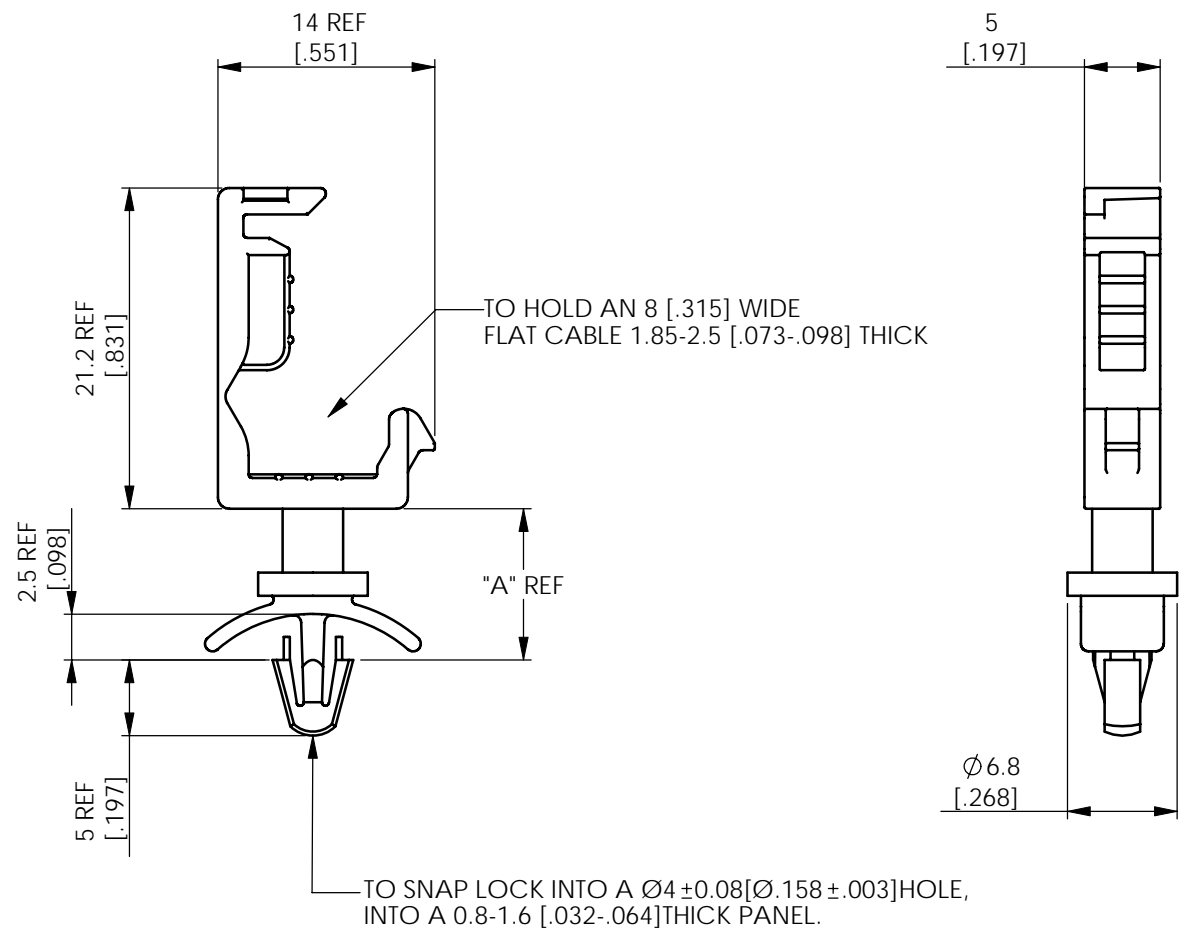
	GENERAL TOLERANCES ± 0.25 [.010] UNLESS OTHERWISE STATED 1 DECIMAL PLACE ± 0.25 [.010] 2 DECIMAL PLACES ± 0.10 [.004] ANGULAR $\pm 1^\circ$	THIRD ANGLE

MATERIAL: SEE TABLE	COLOUR: BLACK
------------------------	------------------

DESCRIPTION: FLAT CABLE WIRE SADDLE	PART No: SEE TABLE
--	-----------------------

DRG No: 08-079	NPR No: GB08-0002	Mass:(g) 0.7	SHEET SIZE A4
-------------------	----------------------	-----------------	------------------

DRN PH	DATE 18/03/08	CHKD JC	DATE 16/06/08	SCALE NTS	SHEET No. 1 OF 1
-----------	------------------	------------	------------------	--------------	---------------------



PART NUMBER	"A" DIM	MATERIAL
FCWSS-1-01BK	4.8 [.189]	NYLON 6/6 RMS-01
FCWSS-2-01BK	10 [.394]	