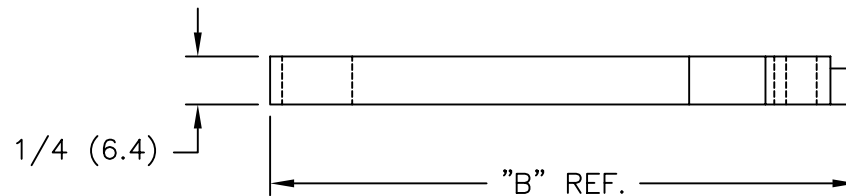
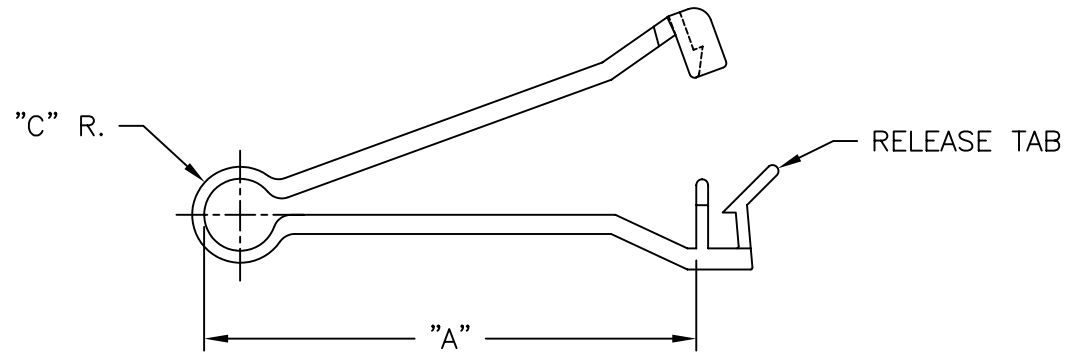


PART NO.	"A" MAX CABLE WIDTH	"B" REF.	"C" REF.
FCLCS	1.50 (38.1)	2.00 (50.8)	.23 (5.8)
FCLC	2.50 (63.5)	3.00 (76.2)	.25 (6.4)



NOTES:

1. MATERIAL: NYLON 6/6 (RMS-01)
2. COLOR: NATURAL.

TITLE: FLAT CABLE LOOP CLIPS						DWG IN IN (MM)	
TOLERANCES UNLESS NOTED .XX=±.010 .XXX=±.005 FRAC=±1/64 ANG=±1'	FILE # FCLC	DWN: J.B.	APP:	FINAL			
	MAT'L: SEE NOTES	DT: 04-30-97	DT:	PART #		PRINT	
	RE: RICHCO, INC.	RICHCO INC. PO BOX 804238, CHICAGO, 60680 (773) 539-4060		SEE TABLE		TYPE CA	

A	CHANGED FILE NO.	SM 12.04.01
REV	DESCRIPTION	ENGR DATE