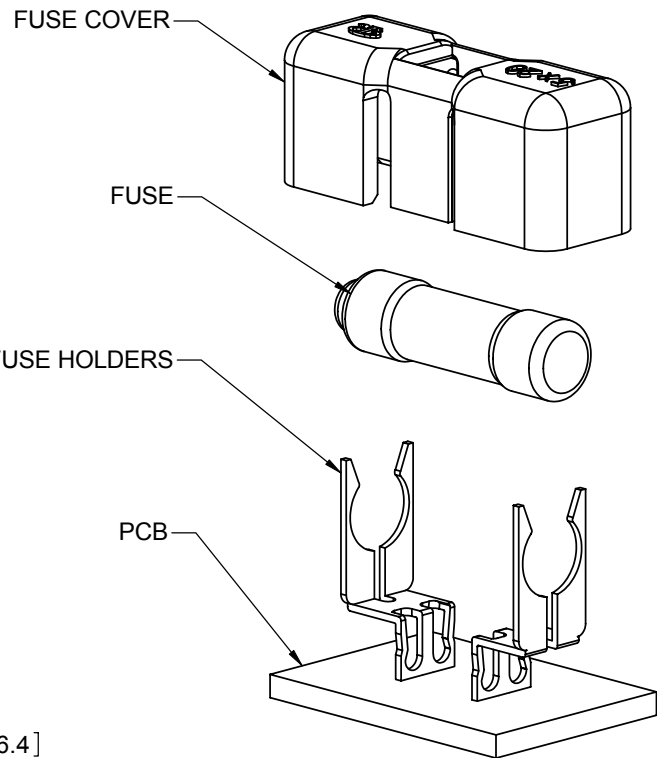


SECTION A-A



NOTES:

1. MATERIAL: FLAME RETARDANT NYLON 6/6 (RMS-19).
2. COLOR: NATURAL.
3. TO SNAP FIT ONTO A $\phi .20 \times .79$ [$\phi 5.00 \times 20.00$] FUSE

TITLE: FUSE COVER					DWG IN IN [MM]		
CREATED USING SOLIDWORKS			FILE #: FCE-5	DWN: SM	APP: BR	FINAL	
TOLERANCES UNLESS NOTED .XX=±.010 .XXX=±.005 FRAC.=±1/64 ANG.=±1°			SHEET: 1 OF 1	SHEET SIZE: A	DT: 08/10/04	CHKD: SJ	
RE: RICHCO, INC.			RICHCO, INC. ENG@RICHCO-INC.COM (773) 539-4060		PART #	PRINT TYPE	
B	SEE ECN #1357 FOR CHANGES	SK 08/23/07	FCE-5-19				CA
A	RELEASED FOR PRODUCTION	SM 08/10/04					
REV.	DESCRIPTION	ENGR. DATE					