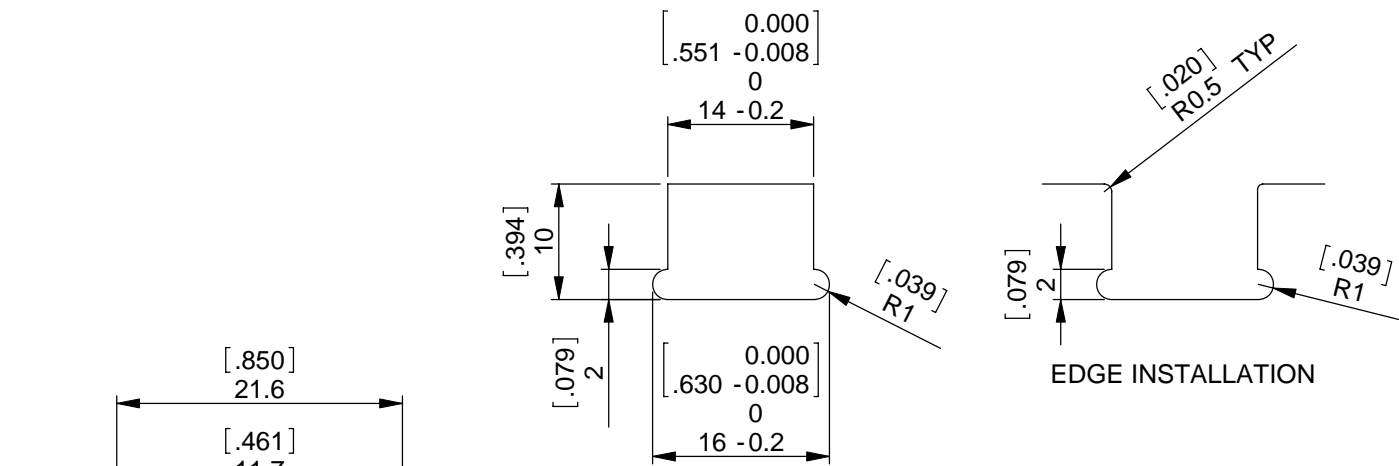


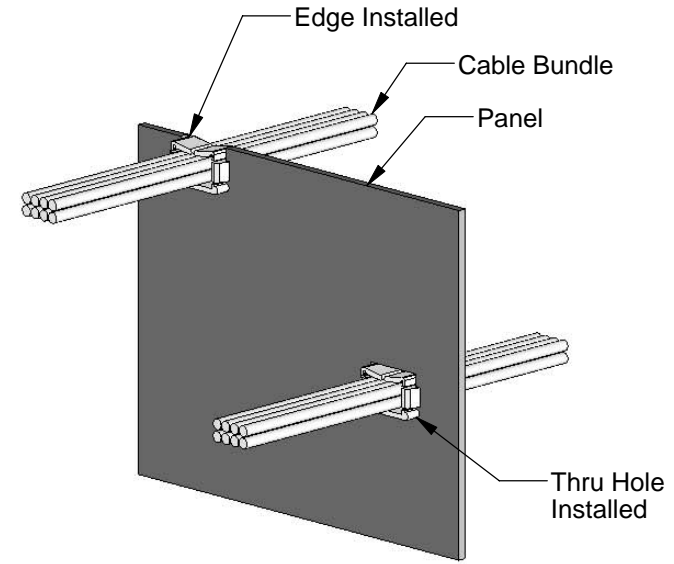
REV.	MODIFICATION.	DATE	DRN
A	NEW DRAWING	17/10/06	NJB
01	PRODUCTION RELEASE	15/01/07	NJB
02	CO2010665	01/06/09	SF



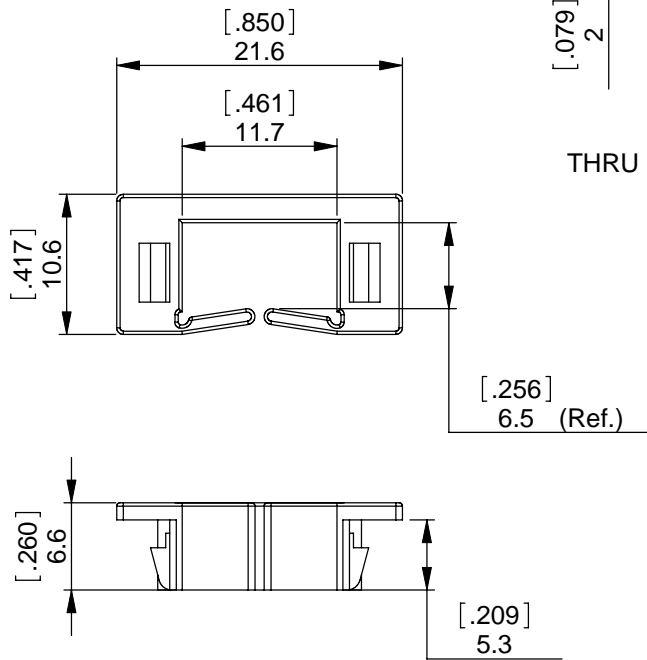
THRU HOLE INSTALLATION

EDGE INSTALLATION

**RECOMMENDED INSTALLATION**  
**PANEL THICKNESS RANGE: 0.8[.032] TO 2.0[.078]**



**APPLICATION DETAIL**



**ALTERNATE UNITS FOR REFERNCE ONLY**

EWSJS-1-19	NYLON 6/6 FR UL94 V0 (RMS-19)	BLACK
EWSJS-1-01	NYLON 6/6 UL94 V2 (RMS-01)	NATURAL
PART NUMBER	MATERIAL	COLOUR

INFORMATION CONTAINED IN THIS DOCUMENT IS CONFIDENTIAL TO RICHCO INTERNATIONAL Co. Ltd. AND MAY NOT BE DISCLOSED OR REPRODUCED IN WHOLE OR PART WITHOUT THEIR WRITTEN CONSENT.

<b>RICHCO, INC.</b> WWW.RICHCO-INC.COM	GENERAL TOLERANCES $\pm 0.25$ [0.010] UNLESS OTHERWISE STATED 1 DECIMAL PLACE $\pm$ 2 DECIMAL PLACES $\pm$ ANGULAR $\pm 1^\circ$	THIRD ANGLE 

MATERIAL: See Table		COLOUR: See Table	
DESCRIPTION: EDGE WIRE SADDLE		PART No: See Table	
DRG No: 07-005	NPR No: 2006-294	SHEET SIZE A4	
DRN NJB	DATE 17/10/06	CHKD TC	DATE 15/01/07
SCALE NTS		SHEET No 1 OF 1	