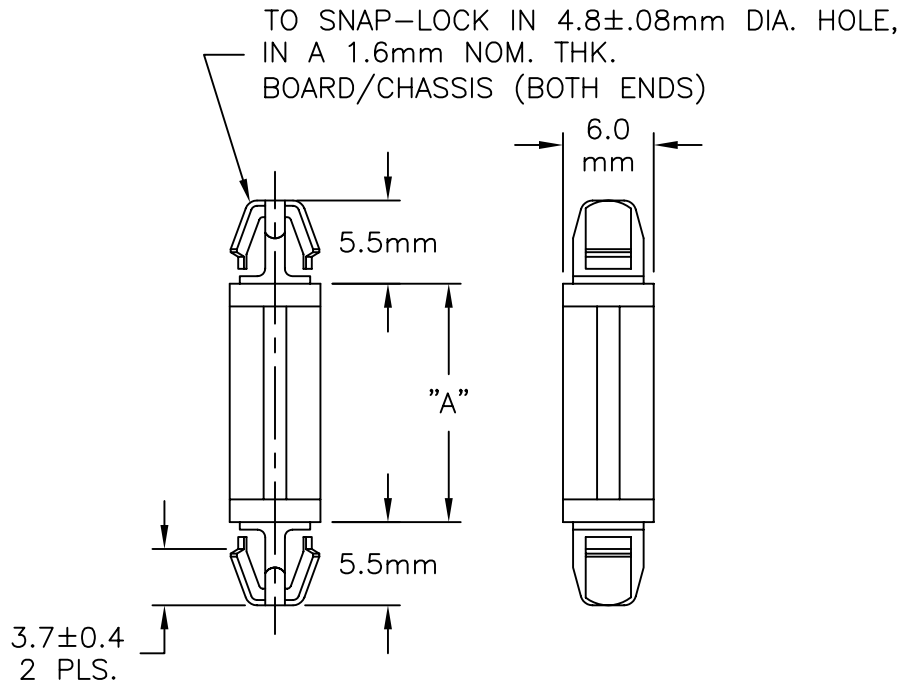
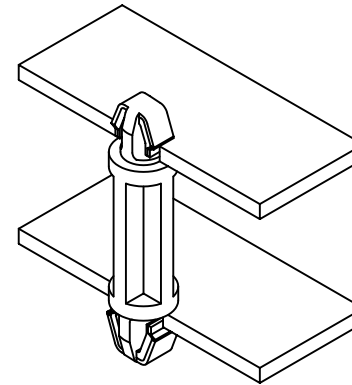


AVAILABLE BY SPECIAL ORDER ONLY



PART NO.	"A" ±0.4 mm
DLSP-2-3M-01	3.0 mm
DLSP-2-4M-01	4.0 mm
DLSP-2-6M-01	6.0 mm
DLSP-2-8M-01	8.0 mm
DLSP-2-10M-01	10.0 mm
DLSP-2-12M-01	12.0 mm
DLSP-2-14M-01	14.0 mm
DLSP-2-16M-01	16.0 mm
DLSP-2-18M-01	18.0 mm



NOTES:

- MATERIAL: NYLON 6/6 (RMS-01).
FLAME RETARDANT, NYLON (RMS-19),
AVAILABLE BY SPECIAL ORDER ONLY.
- COLOR: NATURAL.

REV	DESCRIPTION	ENGR	DATE	TITLE:	FILE #	DWN:	APP:	PART #	PRINT TYPE
F	SEE ECN #862 FOR CHANGES	SM	10.04.04	DUAL LOCKING SUPPORT POST (METRIC), TYPE 2	DLSP-2	P.B.		SEE TABLE	CA
E	ADDED TOL. ±0.4 TO DIM. 3.7	SM	05.28.02						
D	CHANGED FILE NUMBER	SM	05.10.01						
C	Tol. ±.08 added to dim 4.8	JL	4.3.00						
B	NOTE 2 REMOVED; 2ND CHART ADDED; DIM SEE CHART ADDED; DIM .24 (6) ADDED	PB	07.05.95						
A	-01 ADDED TO P/N'S	PB	11.09.94						

TOLERANCES UNLESS NOTED X.X=±0.25 X.XX=±0.13 FRAC=±1/64 ANG=±1°	DT: 10-04-94	DT:	FINAL
MAT'L: SEE NOTES	DT:	DT:	
RE: RICHCO, INC.	RICHCO INC. PO BOX 804238, CHICAGO, 60680 (773) 539-4060		