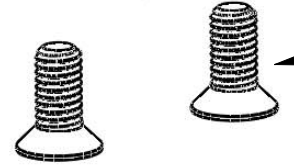
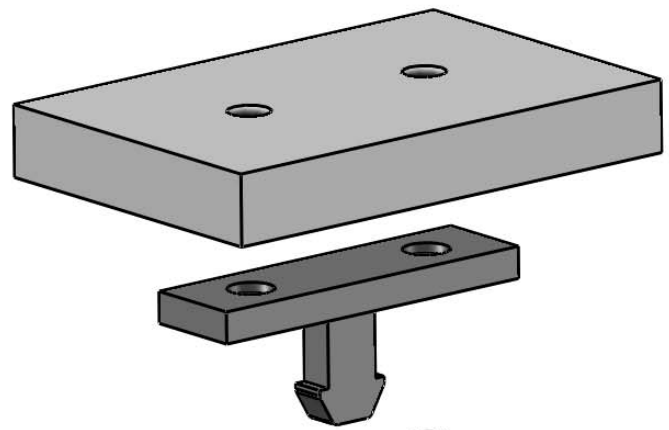
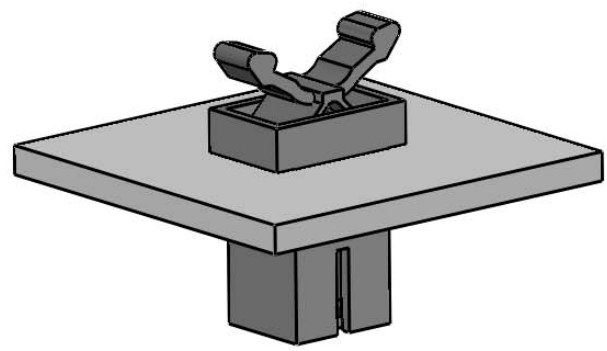


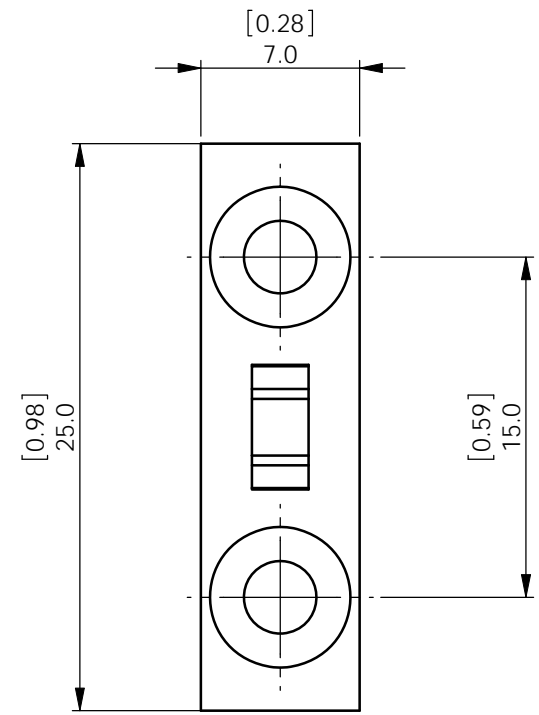
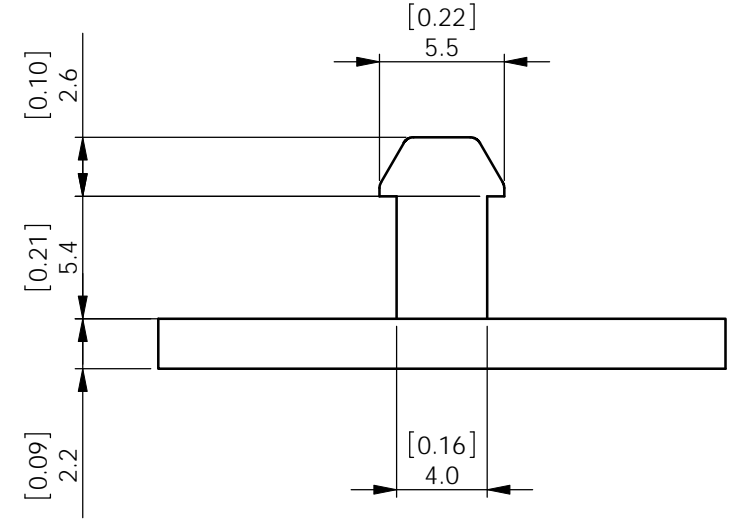
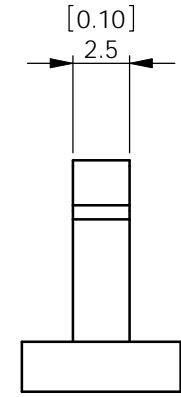
REV	MODIFICATION	DATE	DRN
02	ECN2008-024	04/02/08	TC



FIT WITH #3 (M3) C/SK SCREWS  
(NOT SUPPLIED)



FOR USE WITH RICHCO  
DOOR LATCH PART No 'DL-1'



<p>INFORMATION CONTAINED IN THIS DOCUMENT IS CONFIDENTIAL TO RICHCO INTERNATIONAL Co. Ltd. AND MAY NOT BE DISCLOSED OR REPRODUCED IN WHOLE OR PART WITHOUT THEIR WRITTEN CONSENT.</p>					
			<p>ALL DIMENSIONS IN mm &amp; [INCH] GENERAL TOLERANCES ±0.25 [.010] UNLESS OTHERWISE STATED 1 DECIMAL PLACE ±0.25 [.010] 2 DECIMAL PLACES ± 0.10 [.004] ANGULAR ±1°</p>		<p>THIRD ANGLE</p>
<p>MATERIAL: ACETAL ( RMS 14)</p>				<p>COLOUR: BLACK</p>	
<p>DESCRIPTION: DOOR LATCH STRIKER</p>				<p>PART No: DLS-2</p>	
<p>DRG No: 07-058</p>		<p>NPR No: 2007-262</p>		<p>Mass:(g) 0.6</p>	<p>SHEET SIZE A4</p>
<p>DRN SF</p>	<p>DATE 26/06/07</p>	<p>CHKD OW</p>	<p>DATE 26/06/07</p>	<p>SCALE 4:1</p>	<p>SHEET No. 1 OF 1</p>