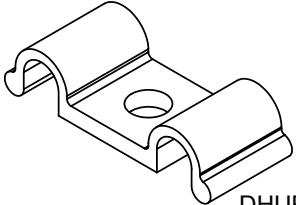
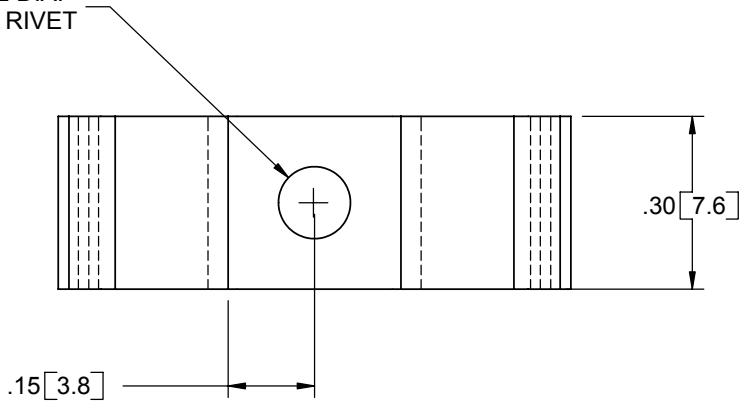
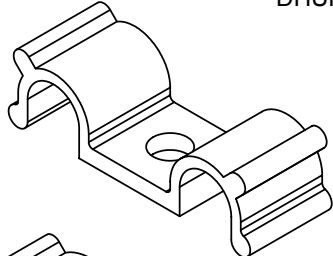


PART NO.	"A" REF.	"B" REF.	"C" HOLDING DIA.	"D" REF.
DHURCS-2-01	.49 [12.4]	.75 [19.0]	1/8 [3.2]	.17 [4.3]
DHURCS-3-01	.56 [14.2]	.89 [22.6]	3/16 [4.8]	.24 [6.1]
DHURCS-4-01	.64 [16.2]	1.02 [25.9]	1/4 [6.4]	.30 [7.6]

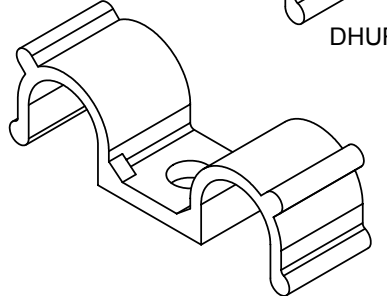
.125 ± .002 [3.2 ± .05] MOUNTING HOLE DIA.  
FOR #4 SCREW OR SR-30XX SERIES RIVET



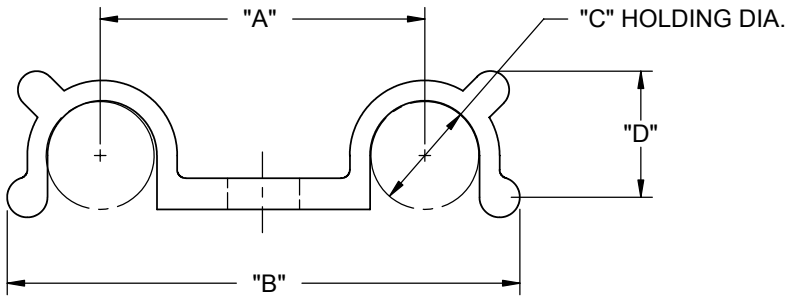
DHURCS-2-01



DHURCS-3-01



DHURCS-4-01



- NOTES:  
 1. MATERIAL: NYLON 6/6 (RMS-01).  
 FLAME RETARDANT NYLON (RMS-19)  
 AVAILABLE BY SPECIAL ORDER.  
 TO ORDER, REPLACE "-01" WITH "-19"  
 2. COLOR: NATURAL.

A	RELEASED FOR PRODUCTION	SM	01/22/04
REV.	DESCRIPTION	ENGR.	DATE

TITLE: DOUBLE HALF "U" ROUTING CLIP W/ MOUNTING SCREW					DWG IN IN [MM]	
CREATED USING SOLIDWORKS	FILE #: DHURCS	DWN: SM	APP: DJZ	FINAL		
TOLERANCES UNLESS NOTED XX=±.010 .XXX=±.005 FRAC.=±1/64 ANG.=±1°	SHEET: 1 OF 1	SHEET SIZE: A	DT: 01/22/04	CHKD: SJ	PART #	PRINT TYPE
RE: RICHCO, INC.	RICHCO, INC. ENG@RICHCO-INC.COM (773) 539-4060		SEE TABLE		CA	