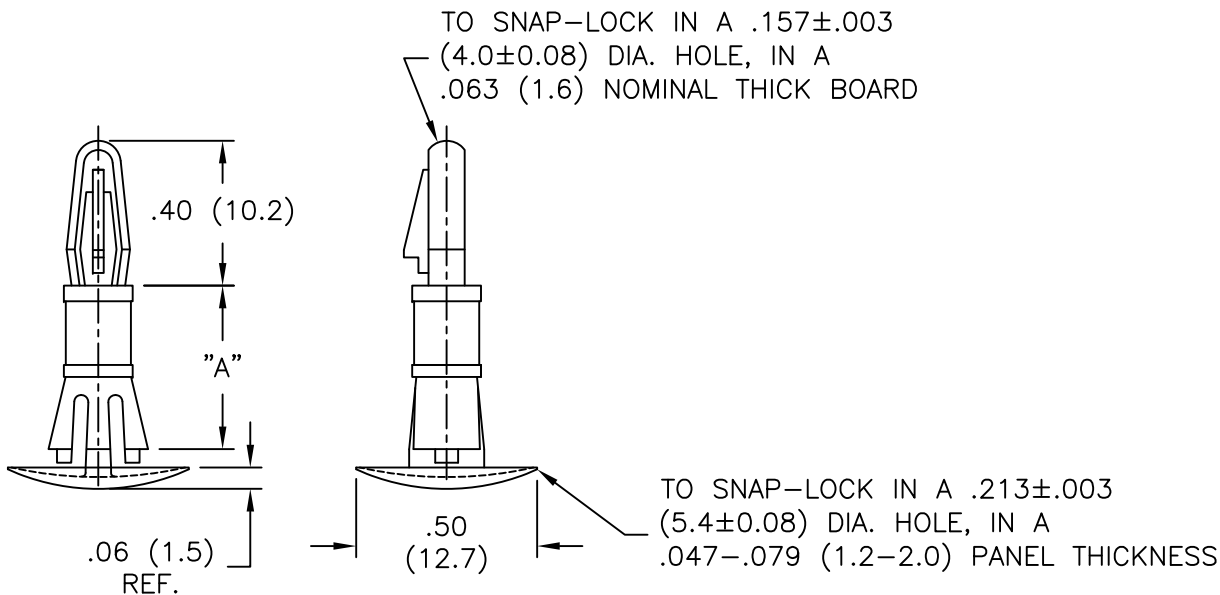


PART NO.	DIM. "A" ±.015(0.4)
CRLCBSRE-4-01	1/4 (6.4)
CRLCBSRE-6-01	3/8 (9.5)
CRLCBSRE-8-01	1/2 (12.7)
CRLCBSRE-10-01	5/8 (15.9)



NOTES:

- MATERIAL: NYLON 6/6 (RMS-01).
FLAME RETARDANT, NYLON (RMS-19),
AVAILABLE BY SPECIAL ORDER ONLY.
TO ORDER, REPLACE "-01" WITH "-19"
- COLOR: NATURAL.
BLACK, AVAILABLE BY SPECIAL ORDER ONLY.
TO ORDER, ADD "BK" TO PART NO.

TITLE: CUPPED REVERSE LOCKING CBS, ROUND HOLE, ENGLISH					DWG IN IN (MM)	
TOLERANCES UNLESS NOTED .XX=±.010 .XXX=±.005 FRAC=±1/64 ANG=±1°	FILE # CRLCBSRE MAT'L: SEE NOTES RE: RICHCO, INC.	DWN: P.B. DT: 07-11-95	APP: DT:	FINAL		PRINT TYPE CA
B SEE CO 200080 FOR CHANGES SK 12.04.07	A UPDATED NOTES AND CHANGED FILE NO. SM 05.09.02	PART # SEE TABLE				
REV DESCRIPTION ENGR DATE	RICHCO INC. PO BOX 804238, CHICAGO, 60680 (773) 539-4060					