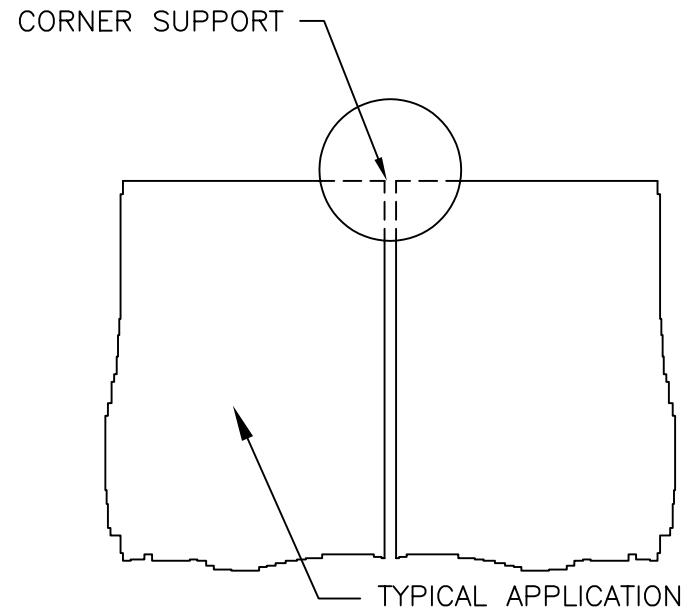
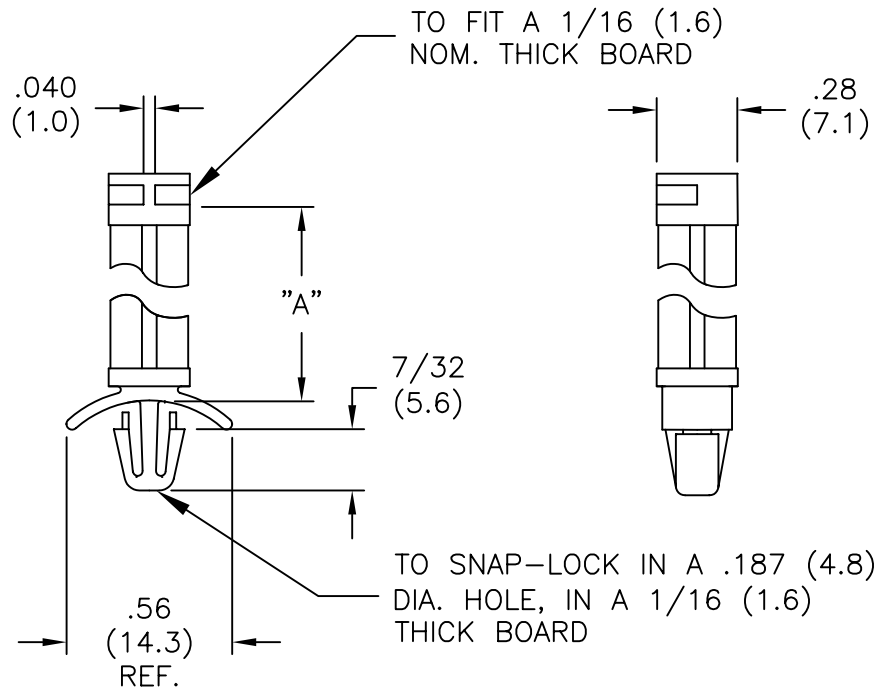


PART NO.	"A" ±.015 (±0.4)
CHCBS-3-01	3/16 (4.8)
CHCBS-4-01	1/4 (6.4)
CHCBS-6-01	3/8 (9.5)
CHCBS-8-01	1/2 (12.7)
CHCBS-10-01	5/8 (15.9)
CHCBS-12-01	3/4 (19.1)
CHCBS-14-01	7/8 (22.2)



NOTES:

1. ACCEPTS 1/16 (6.4) NOMINAL THICK BOARD
2. MATERIAL: NYLON 66 (RMS-01); FLAME RETARDANT NYLON (RMS-19) AVAILABLE BY SPECIAL ORDER
3. COLOR: NATURAL

TITLE: CORNER HOLDING CIRCUIT BOARD SUPPORT				DWG IN IN (MM) FINAL			
TOLERANCES UNLESS NOTED .XX=±.010 .XXX=±.005 FRAC=1/64 ANG=1°		FILE # CHCBS	DWN: J.B.	APP:	PART #		PRINT TYPE
A		MAT'L: SEE NOTES	DT: 01-20-97	DT:	SEE CHART		CA
REV		RE: RICHCO INC	RICHCO INC. PO BOX 804238, CHICAGO, 60680 (773) 539-4060				
CHANGED FILE NUMBER		SM 01.30.02					
DESCRIPTION		ENGR DATE					