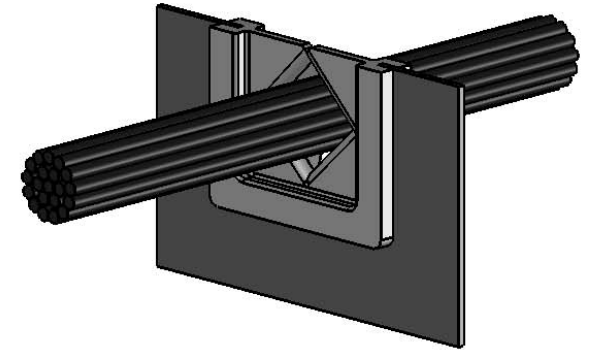
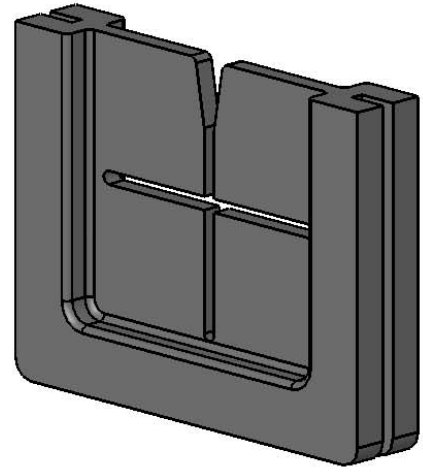
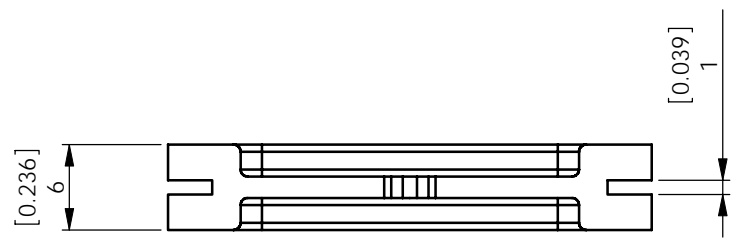


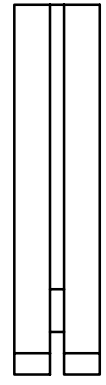
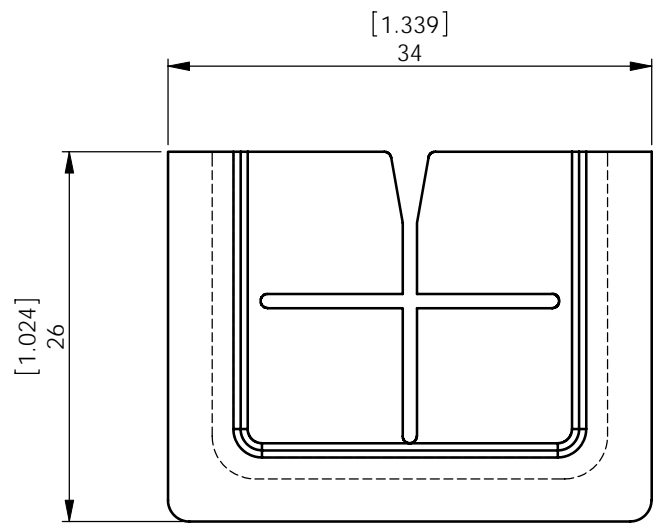
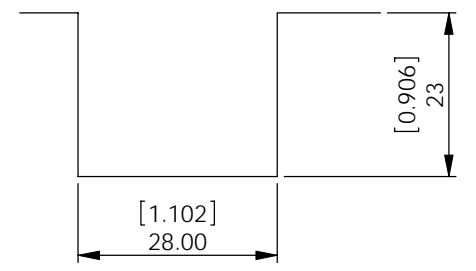
A B C D E F

AVAILABLE BY SPECIAL ORDER- NAFTA REGION ONLY

REV.	MODIFICATION.	DATE	DRN
01	NEW SALES DRG	24/04/08	MT



CUT OUT DETAILS
PANEL THICKNESS 1.0mm



NOTES:
TEMPERATURE RESISTANCE: 150°C
MAX BUNDLE ϕ 15mm

INFORMATION CONTAINED IN THIS DOCUMENT IS CONFIDENTIAL TO RICHCO INTERNATIONAL Co. Ltd. AND MAY NOT BE DISCLOSED OR REPRODUCED IN WHOLE OR PART WITHOUT THEIR WRITTEN CONSENT.

Richco METRIC PRIMARY UNITS:mm
IMPERIAL SECONDARY UNITS:[inches]
GENERAL TOLERANCES ± 0.25 [0.010]
UNLESS OTHERWISE STATED
1 DECIMAL PLACE \pm
2 DECIMAL PLACES \pm
ANGULAR $\pm 1^\circ$ **THIRD ANGLE**

MATERIAL: HIGH TEMP RUBBER. SHORE A 70+/- 5 (RMS-378)		COLOUR: BLACK	
DESCRIPTION: CABLE GROMMET		PART No: CGA-1	

DRG No: 05-066	NPR No: 2004-241	WEIGHT: 3.3	SHEET SIZE A4
DRN MT	DATE 24/04/08	CHKD BO	DATE 21/05/08
SCALE NTS		SHEET No. 1 OF 1	