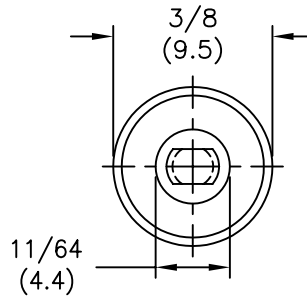
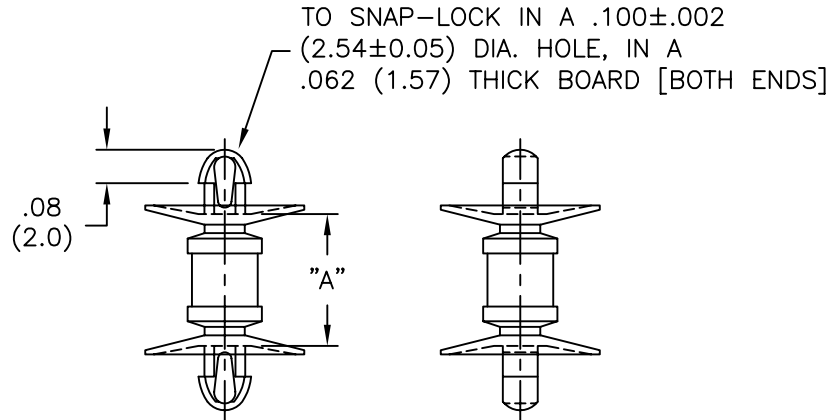


AVAILABLE BY SPECIAL ORDER ONLY



PART NO.	DIM. "A" ±.015 (±0.4)
CDLCBST-3-01	3/16 (4.8)
CDLCBST-4-01	1/4 (6.4)
CDLCBST-5-01	5/16 (7.9)
CDLCBST-6-01	3/8 (9.5)
CDLCBST-7-01	7/16 (11.1)
CDLCBST-8-01	1/2 (12.7)
CDLCBST-9-01	9/16 (14.3)
CDLCBST-10-01	5/8 (15.9)



NOTES:

1. MATERIAL: NYLON 6/6 (RMS-01).
FLAME RETARDANT, NYLON (RMS-19),
AVAILABLE BY SPECIAL ORDER ONLY.
2. COLOR: NATURAL.

TITLE: CUPPED DUAL LOCKING CKT.BD. SUPPORT, TEARDROP			DWG IN IN (MM)		FINAL		PRINT TYPE	
E	SEE ECN #862 FOR CHANGES	SM 10.04.04	TOLERANCES UNLESS NOTED	FILE # CDLCBST	DWN: P.B.	APP:	PART # SEE TABLE	CA
D	SEE ECN #474 FOR CHANGES	SM 09.30.02	.XX=±.010	MAT'L: SEE NOTES	DT: 06-20-94	DT:		
C	CHANGED FILE NO. AND TITLE BLOCK.	SM 04.27.01	.XXX=±.005	RE: RICHCO, INC.	RICHCO INC.			
B	MAT'L RMS-19 ADDED	J.L. 12.19.97	FRAC=±1/64	PO BOX 804238, CHICAGO, 60680				
A	CONVERTED TO ACAD	PB 06.20.94	ANG=±1°	(773) 539-4060				
REV	DESCRIPTION	ENGR DATE						