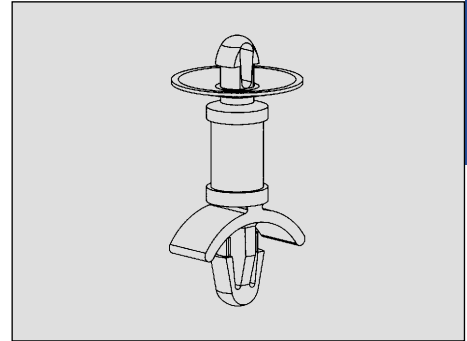
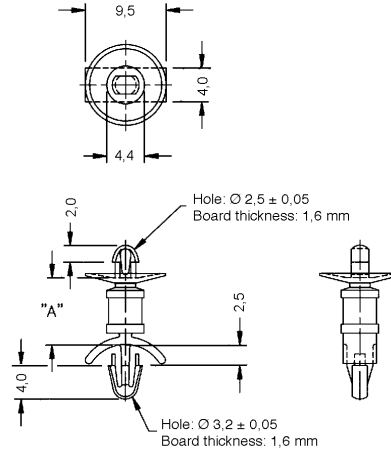


CIRCUIT BOARD HARDWARE

Part No.	"A" mm
CDLCBSAT-3-01	4.8
CDLCBSAT-4-01	6.4
CDLCBSAT-5-01	7.9
CDLCBSAT-6-01	9.5
CDLCBSAT-7-01	11.1
CDLCBSAT-8-01	12.7
CDLCBSAT-9-01	14.3
CDLCBSAT-10-01	15.9



CDLCBSAT

CUPPED DUAL LOCKING
CIRCUIT BOARD SUPPORT,
ARROWHEAD, TEARDROP

Material: Nylon 6/6 - natural; UL 94 V-2, RMS-01
by special order:
Nylon 6/6 - natural; UL 94 V-0, RMS-19
Std. Pk.: 1.000 pcs.

Note:

CDLCBSAT	2	01
Part	Length	Material Code