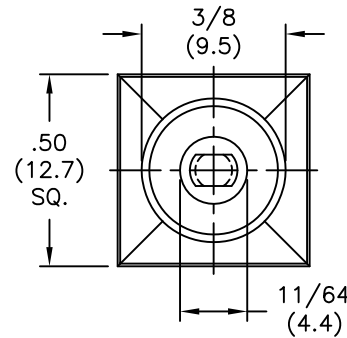
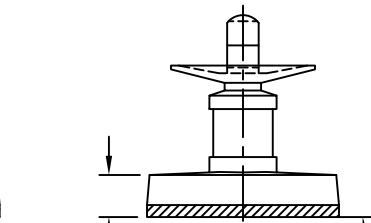
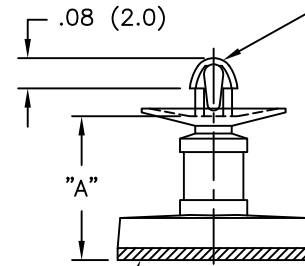


PART NO.	DIM. "A" ±.015 (±0.4)
CCBSBT-4-01A-RT	1/4 (6.35)
CCBSBT-5-01A-RT	5/16 (7.94)
CCBSBT-6-01A-RT	3/8 (9.53)
CCBSBT-7-01A-RT	7/16 (11.11)
CCBSBT-8-01A-RT	1/2 (12.70)
CCBSBT-9-01A-RT	9/16 (14.29)
CCBSBT-10-01A	5/8 (15.88)



TO SNAP-LOCK IN A .100±.002
(2.54±0.05) DIA. HOLE, IN A
.062 (1.57) THICK BOARD



1/32 (0.8) THICK,
DOUBLE SIDED
ADHESIVE TAPE

TYPICAL RELEASE
TAB LOCATION

NOTES:

- MAT'L: NYLON 6/6 (RMS-01).
FLAME RETARDANT, NYLON (RMS-19),
AVAILABLE BY SPECIAL ORDER ONLY.
- COLOR: NATURAL.
- ACRYLIC ADHESIVE TAPE (RMS-15), WHITE LINER.
PART ALSO AVAILABLE WITHOUT TAPE.
TO ORDER REMOVE "A-RT" FROM PART NO.
[SUBTRACT 1/32 (0.8) FROM "A" DIM]

G	SEE CO 200773 FOR CHANGES	SK 04.30.12	TITLE: CUPPED CKT. BD. SUPPORT ON BASE, TEARDROP				DWG IN IN (MM)			
F	UPDATED NOTES AND CHANGED FILE NO.	SM 05.08.02							FINAL	
E	ADDED NOTE "2"	J.L. 07.12.00	TOLERANCES UNLESS NOTED .XX=±.010 .XXX=±.005 FRAC=1/64 ANG=1°	FILE #	CCBSBT	DWN: P.B.	APP:	PART # SEE TABLE	PRINT TYPE CA	
D	MAT'L RMS-19 ADDED	J.L. 12.19.97		MAT'L:	SEE NOTES	DT: 06-20-94	DT:			
C	"A" IN P/N ADDED; SNAP-LOCK DIM CHANGED	PB 07.13.95		RE:	RICHCO, INC.	RICHCO INC. PO BOX 804238, CHICAGO, 60680 (773) 539-4060				
B	CONVERTED TO ACAD	PB 06.20.94								
A	"RT" IN P/N ADDED	RS 01.08.92								
REV	DESCRIPTION	ENGR DATE								