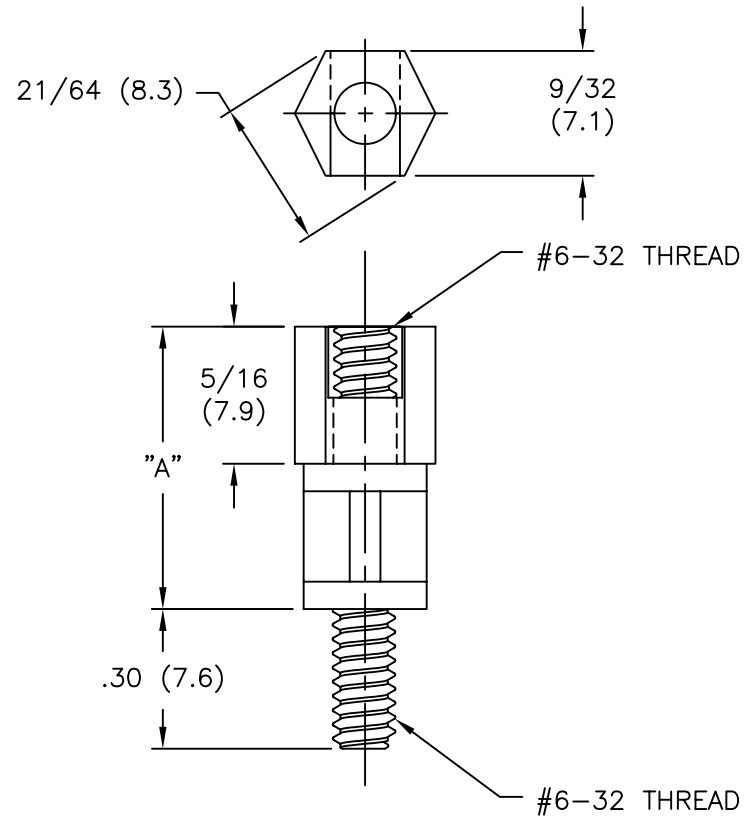


AVAILABLE BY SPECIAL ORDER ONLY

NYLON 6/6 (RMS-01) COLOR: NATURAL PART NO.	FLAME RET. (RMS-19) COLOR: NATURAL PART NO.	"A" ±.015 (±0.4)
CBS-TFM-6-01	CBS-TFM-6-19	3/8 (9.5)
CBS-TFM-8-01	CBS-TFM-8-19	1/2 (12.7)
CBS-TFM-10-01	CBS-TFM-10-19	5/8 (15.9)
CBS-TFM-12-01	CBS-TFM-12-19	3/4 (19.1)
CBS-TFM-14-01	CBS-TFM-14-19	7/8 (22.2)
CBS-TFM-16-01	CBS-TFM-16-19	1 (25.4)



NOTES:
 1. M4 THREAD AVAILABLE BY SPECIAL ORDER ONLY.
 TO ORDER, ADD "-M4" TO PART NO.
 EXAMPLE: CBS-TFM-M4-8-XX

TITLE: CBS THREADED FEMALE-MALE			DWG IN IN(MM)		FINAL		
F	SEE ECN #862 FOR CHANGES	SM 10.04.04	FILE # CBS-TFM	DWN: P.B.	APP:	PART # SEE TABLE	PRINT TYPE CA
E	UPDATED PRINT AND CHANGED FILE NO.	SM 05.08.02	MAT'L: SEE TABLE	DT: 06-20-94	DT:		
D	FR-NYLON REMOVED FROM CHART	J.L. 2.17.98	RE: RICHCO, INC.	RICHCO INC. PO BOX 804238, CHICAGO, 60680 (773) 539-4060			
C	MAT'L RMS-19 ADDED	J.L. 12.18.97	TOLERANCES UNLESS NOTED .XX=±.010 .XXX=±.005 FRAC=±1/64 ANG=±1°				
B	CHANGED PART # AND ADD DIM & NOTES	JB 09.27.95					
A	CONVERTED TO ACAD	PB 06.20.94					
REV	DESCRIPTION	ENGR DATE					