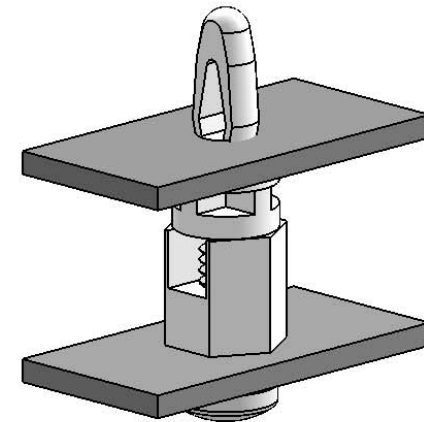


MATERIAL: NYLON 6/6
UL94 V-2 (RMS-01),
COLOR NATURAL.
PART NO.

MATERIAL: NYLON 6/6
UL94 V-0 (RMS-19),
COLOR NATURAL.
PART NO.

"A"±.015

CBS-TF-6-01	CBS-TF-6-19	3/8 [9.5]
CBS-TF-8-01	CBS-TF-8-19	1/2 [12.7]
CBS-TF-10-01	CBS-TF-10-19	5/8 [15.9]
CBS-TF-12-01	CBS-TF-12-19	3/4 [19.1]
CBS-TF-14-01	CBS-TF-14-19	7/8 [22.2]
CBS-TF-16-01	CBS-TF-16-19	1 [25.4]



NOTES:

1. THREAD M4 AVAILABLE BY SPECIAL ORDER. TO ORDER ADD "-M4" TO PART NO. EXAMPLE: CBS-TF-M4-8-XX

E REDRAWN, SEE CO 200713 SK 09/23/11			TITLE: CBS THREADED FEMALE				UNITS= IN [MM]		FINAL	
- SEE ENGINEERING FOR REV A TO D			FILE #: CBS-TF		DWN: SK		APP: SK		PART #	
REV. DESCRIPTION ENGR. DATE			SHEET: 1 OF 1 SHEET SIZE: A		DT: 09/23/11		CHKD: MJB		SEE TABLE	
			RE: RICHCO, INC.		RICHCO, INC.		WWW.RICHCO-INC.COM		PRINT TYPE CA	