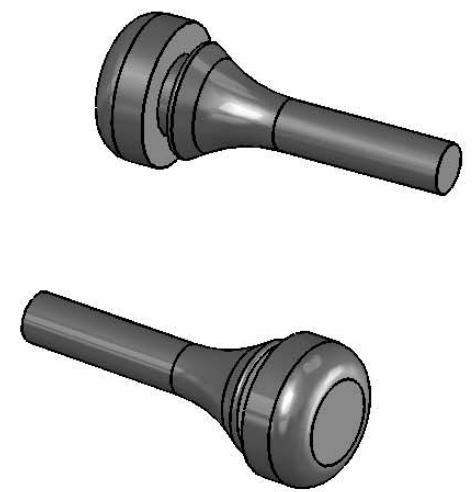
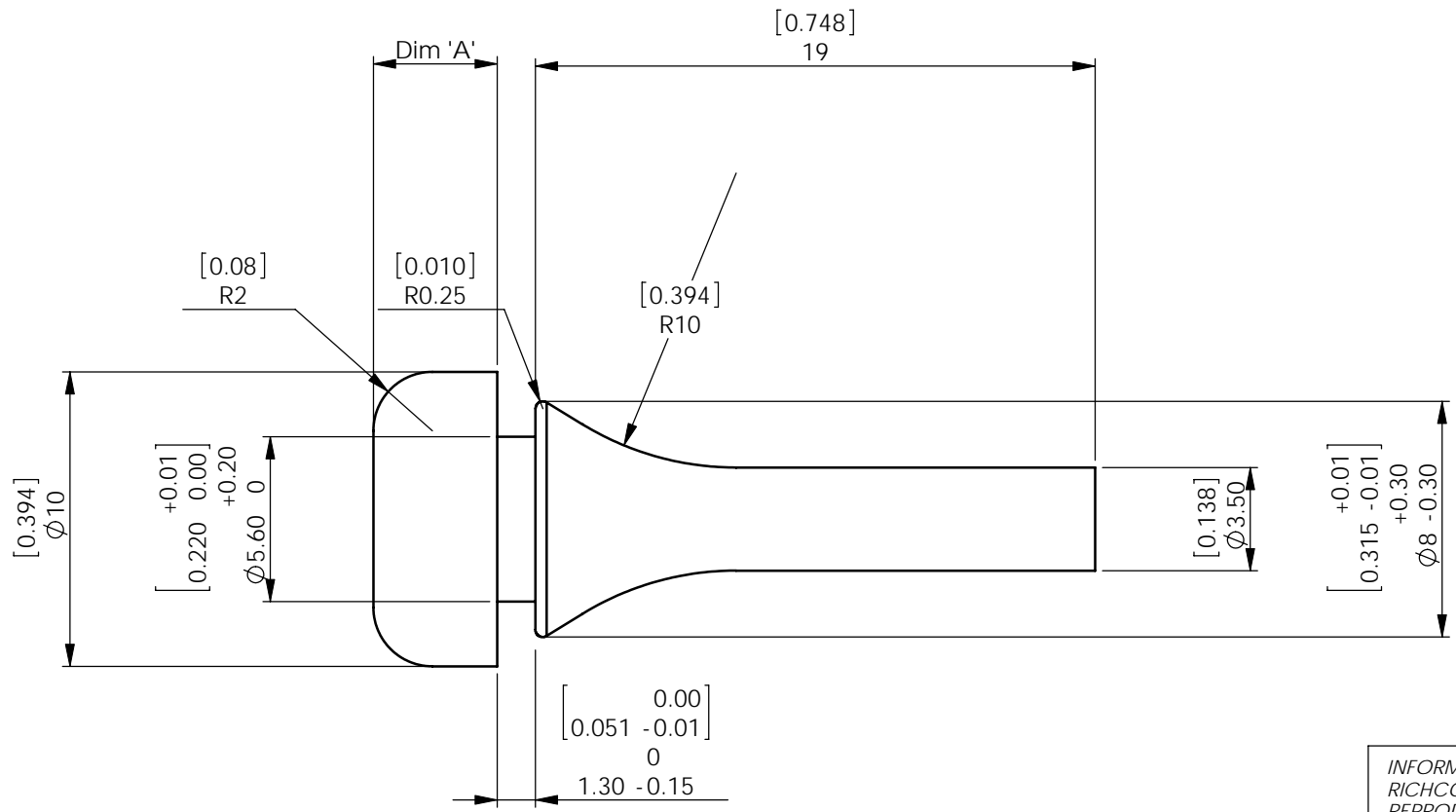


REV.	MODIFICATION.	DATE	DRN
01	PRODUCTION RELEASE	13/03/06	TC
02	ECR 2006-079	08/05/06	TC
03	CO2010269	01/07/08	SF
04	CO2010273	03/07/08	SF
05	CO2010755	30/07/09	OW



NOTES!

- Material To Comply with RoHS legislation
- Fits hole diameter 6.0mm MIN, 6.35mm MAX panel thickness 1.5mm

PART No	"A" DIMENSION	COLOUR	RMS No
BPM-1	[.118+/-0.001] 3.0 +/- 0.25	GREY	RMS-321
BPM-2	[.165 +/- 0.01] 4.2 +/- 0.25	BLACK	RMS-321
BPM-3	[.196 +/- 0.01] 5.0 +/- 0.25	BLACK	RMS-321

INFORMATION CONTAINED IN THIS DOCUMENT IS CONFIDENTIAL TO RICHCO INTERNATIONAL Co. Ltd. AND MAY NOT BE DISCLOSED OR REPRODUCED IN WHOLE OR PART WITHOUT THEIR WRITTEN CONSENT.

Richco
ALL DIMENSIONS IN mm & [INCHES]
 GENERAL TOLERANCES ± 0.25 [± 0.01]
 UNLESS OTHERWISE STATED
 1 DECIMAL PLACE ± 0.25 [± 0.01]
 2 DECIMAL PLACES ± 0.10 [± 0.004]
 ANGULAR $\pm 1^\circ$

THIRD ANGLE

MATERIAL: SILICONE RUBBER 63 SHORE A
 COLOUR: SEE TABLE

DESCRIPTION: PULL MOUNT BUMPER
 PART No: SEE TABLE

DRG No: 06-026
 NPR No: 2004-340 - Grey
 2004-341 - Black
 2007-239 - Black
 Mass:(g) 0.75 - 341
 0.60 - 340
 SHEET SIZE A4

DRN TC
 DATE 14/10/05
 CHKD TC
 DATE 13/03/06
 SCALE NTS
 SHEET No. 1 OF 1

FORM No. 0178/00