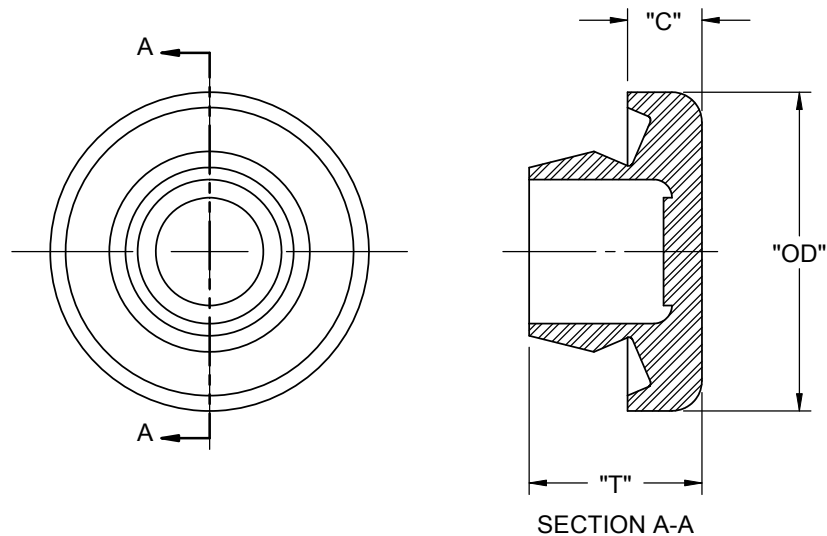


PART NO.	PANEL HOLE SIZE "H"	PANEL THICKNESS "P"	HEAD HEIGHT "C"	OUTSIDE DIAMETER "OD"	BODY PLUG THICKNESS "T"	MATERIAL
BP-16230	10±0.1[.394±.004]	0.8-2 [.032-.079]	5 [.20]	19.3 [.76]	10.9 [.43]	RMS-262
BP-16231	12±0.2[.472±.008]			21 [.83]	11.4 [.45]	
BP-16232	14±0.2[.551±.008]			23 [.91]	11.4 [.45]	
BP-16233	16±0.2[.630±.008]			25 [.98]	12 [.47]	RMS-67
BP-16234	18±0.2[.709±.008]			27 [1.06]	11.4 [.45]	
BP-16236	22±0.2[.866±.008]		4.5 [.18]	31.2 [1.23]	10.9 [.43]	RMS-262
BP-16238	30±0.2[1.181±.008]		4.25 [.17]	39.4 [1.55]	10.7 [.42]	



**NOTES:**

1. MATERIAL: THERMOPLASTIC ELASTOMER UL 94 HB.
2. COLOR: BLACK.
3. AT NOMINAL PANEL HOLE SIZE AND MAXIMUM PANEL THICKNESS PARTS CONFORM TO IP67
4. ALTERNATE UNITS FOR REFERENCE ONLY

REV.			TITLE: <b>BODY PLUG</b>				DWG IN mm [IN]		FINAL		PRINT TYPE	
D	SEE CO 200420 FOR CHANGES	SK 08/21/09	CREATED USING SOLIDWORKS	FILE #: BP	DWN: SK	APP: RT					CA	
C	SEE CO 200041 FOR CHANGES	SK 09/28/07	TOLERANCES UNLESS NOTED ±0.5 ANG.±1°	SHEET: 1 OF 1	SHEET SIZE: A	DT: 06/11/07	CHKD: DZ	PART #		SEE TABLE		
B	SEE ECN #1332 FOR CHANGES	SK 06/12/07	RE: RICHCO, INC.			RICHCO, INC.						
A	CHANGED FILE NO. AND TABLE HEADING	SM 01.02.02				ENG@RICHCO-INC.COM						
	DESCRIPTION	ENGR. DATE				(773) 539-4060						