

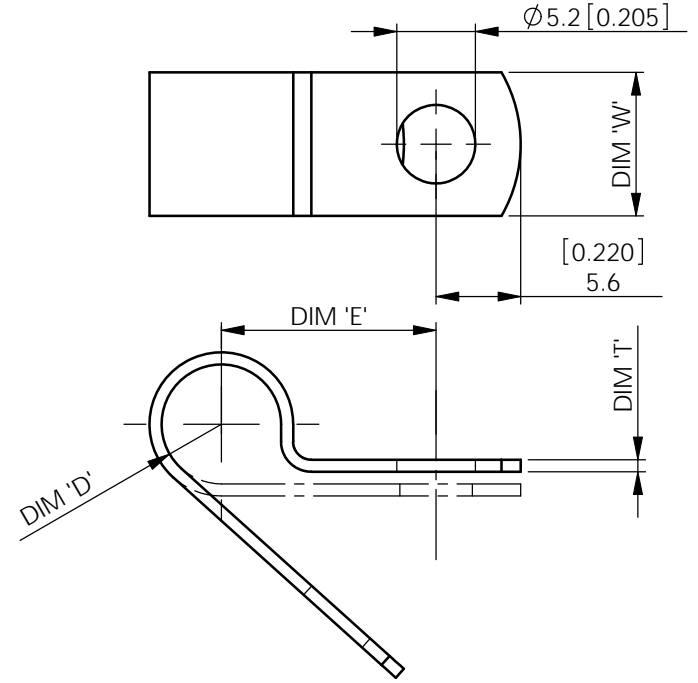
NOTES.

- 1a) METRIC PRIMARY UNITS:mm
- 1b) IMPERIAL SECONDARY UNITS: [inches]
- 2) AL Series is ROHS compliant.



Isometric View

REV.	MODIFICATION.	DATE	DRN
01	NEW DWG, ECN-2006-038	31/01/06	NJB
02	ECN 2007-128	07/08/07	SF
03	2010918	12/05/10	DT
04	2010969	04/08/10	SF

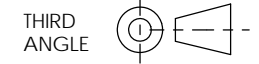


PART NUMBER	DIM 'D'(Holding Dia)	DIM'E'	DIM'W'	DIM'T'	MATERIAL
AL2	3.2[0.125]	11.7[0.460]	9.5[0.374]	0.8[0.031]	RMS-194
AL3	4.8[0.188]	12.7[0.500]			
AL4	6.4[0.251]	13.5[0.531]			
AL5	7.9[0.311]	14.2[0.559]			
AL6	9.5[0.374]	15.0[0.590]			
AL7	11.1[0.437]	15.7[0.620]			
AL8	12.7[0.500]	16.5[0.649]			
AL9	14.3[0.562]	19.1[0.751]			
AL10	15.9[0.625]	19.8[0.779]			
AL11	17.5[0.688]	20.6[0.811]			
AL12	19.1[0.751]	21.3[0.838]			
AL14	22.2[0.874]	22.9[0.901]			
AL15	23.8[0.937]	23.6[0.929]			
AL16	25.4[1.000]	24.4[0.960]			
AL18	28.6[1.125]	26.7[1.051]			
AL20	31.8[1.251]	28.2[1.110]			

INFORMATION CONTAINED IN THIS DOCUMENT IS CONFIDENTIAL TO RICHCO INTERNATIONAL Co. Ltd. AND MAY NOT BE DISCLOSED OR REPRODUCED IN WHOLE OR PART WITHOUT THEIR WRITTEN CONSENT.

RICHCO, INC.
WWW.RICHCO-INC.COM

GENERAL TOLERANCES $\pm 0.40 [1/64]$
UNLESS OTHERWISE STATED
1 DECIMAL PLACE \pm
2 DECIMAL PLACES \pm
ANGULAR $\pm 1^\circ$



MATERIAL: SEE TABLE		COLOUR: SILVER	
DESCRIPTION: CABLE CLAMP, TYPE AL		PART No: SEE TABLE	
DRG No: 06-016	NPR No:	SHEET SIZE A4	
DRN NJB	DATE 31/01/06	CHKD ME	DATE 31/01/06
SCALE NTS		SHEET No. 1 OF 1	