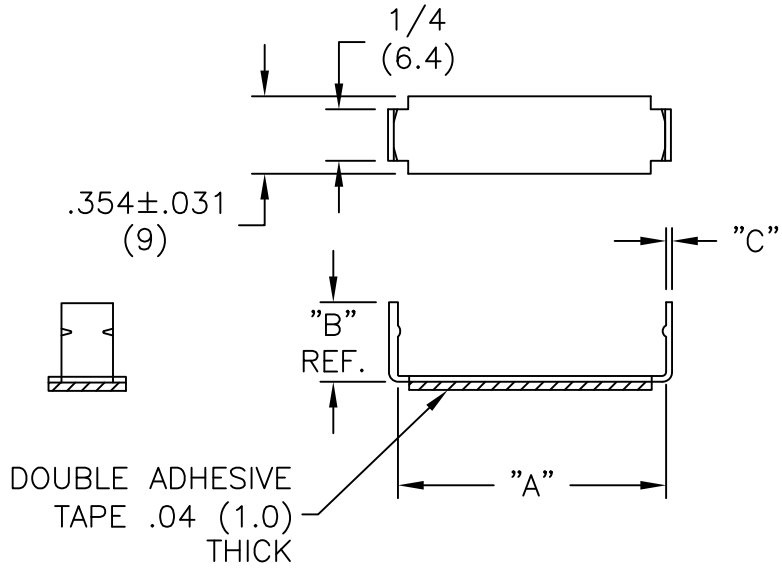


PART NO.	CABLE WIDTH "A"	DIM "B"	DIM "C"
AFCC-08	1/2 (12.7)	1/4 (6.4)	.02 (0.5)
AFCC-12	3/4 (19.1)	1/4 (6.4)	
AFCC-16	1 (25.4)	5/16 (7.9)	
AFCC-20	1-1/4 (31.8)	3/8 (9.5)	
AFCC-21	1-5/16 (33.3)	.385 (9.8)	
AFCC-24	1-1/2 (38.1)	7/16 (11.1)	
AFCC-28	1-3/4 (44.5)	1/2 (12.7)	.03 (0.7)
AFCC-32	2 (50.8)	9/16 (14.3)	



NOTES:

1. MATERIAL: ALUMINUM (RMS-194)
2. ADHESIVE: RUBBER (RMS-34)

F SEE CO 200463 FOR CHANGES SK 10.27.09 E SEE CO 200379 FOR CHANGES SK 06.12.09 D SEE CO 200041 FOR CHANGES SK 09.28.07 C SEE ECN #1276 FOR CHANGES SK 01.22.07 B CHANGED FILE NO. AND TITLE BLOCK SM 03.22.02 A CONVERTED TO ACAD PB 01.16.95 REV DESCRIPTION ENGR DATE			TITLE: ALUMINUM FLAT CABLE CLAMP			DWG IN IN (MM)	
TOLERANCES UNLESS NOTED .XX=±.010 .XXX=±.005 FRAC=±1/64 ANG=±1°			FILE # AFCC MAT'L: SEE NOTES RE: RICHCO, INC.		DWN: P.B. APP: DT: 01-16-95 DT: RICHCO INC. PO BOX 804238, CHICAGO, 60680 (773) 539-4060		
			PART # SEE TABLE		PRINT TYPE CA		