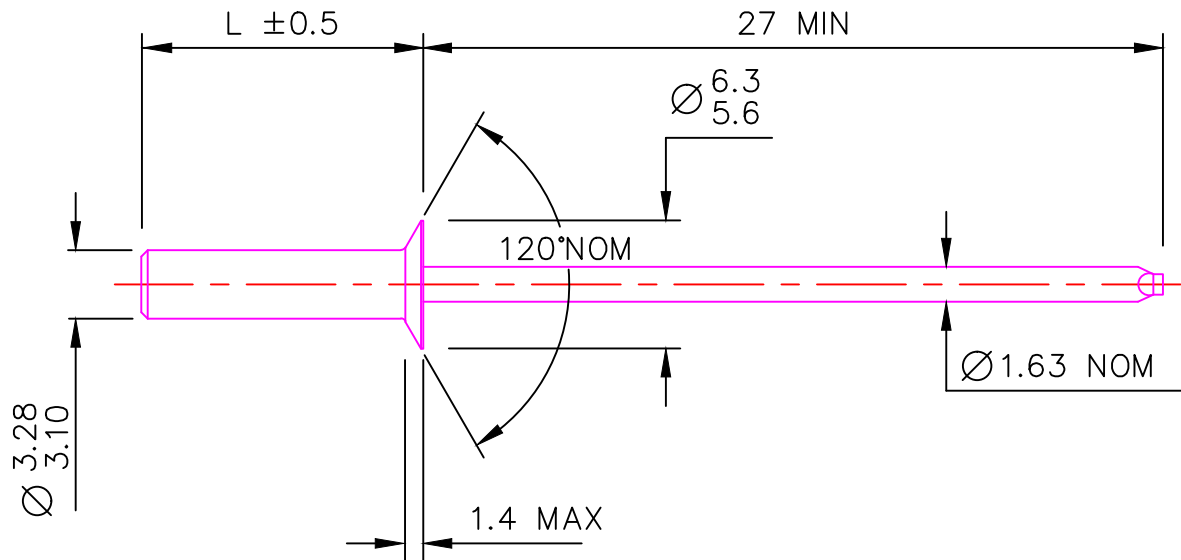


CIRC. 08

AK 4 SIZE H



FOR FINISH DETAILS SEE DRG 300816

PRODUCT CODE	L	GRIP RANGE
AK 42 H	8.7	1.6 TO 3.2
AK 43 H	10.2	3.2 TO 4.8
AK 44 H	11.8	4.8 TO 6.4
AK 45 H	13.4	6.4 TO 7.9
AK 46 H	15.0	7.9 TO 9.5

SHEAR STRENGTH 1110 N		TENSILE STRENGTH 1400 N		HOLE SIZE Ø 3.3 / 3.4			
MATERIAL MANDREL CARBON STEEL BODY ALUMINIUM ALLOY		19OCT12	21360	4	RE		
		11NOV03	19172	3	RE		
This drawing is the property of Tucker Fasteners Ltd. It is confidential and must not be lent or copied except by written consent.		TITLE 4 SIZE 'POP' CLOSED END ALUMINIUM ALLOY COUNTERSINK HEAD BLIND RIVET		4NOV03	19165	2	RE
		21OCT03	19152	1	RE		
		ECN DATE	ECN No	ISSUE	APPROVED		
ALL DIMENSIONS ARE IN MILLIMETRES		SCALE 3: 1		DR R.EVERILL		Date 21OCT03	
SHEET 1 OF 1		© TUCKER FASTENERS Ltd. EMHART FASTENING TEKNOLOGIES Walsall Road, Birmingham B42 1BP, England. A BLACK & DECKER COMPANY		DRAWING No. 303755			
A4OPEN	A4						