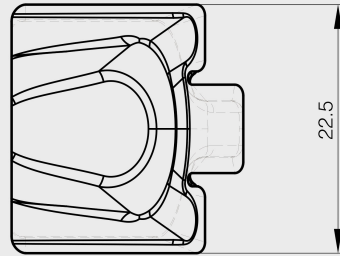
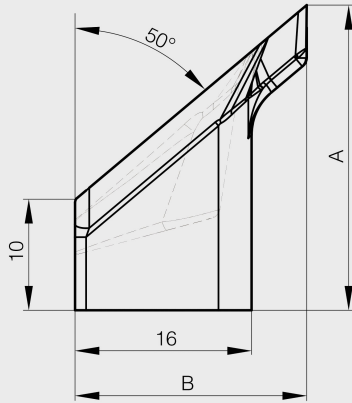


Humidity drain gasket

Model : 99-7-3691



Moisture collector to be positioned on the floor in line with the double knuckle hinge (when closed).



Material	polyurethane
A (length)	27.6
B (width)	21
Weight (g)	3
Material	polymer