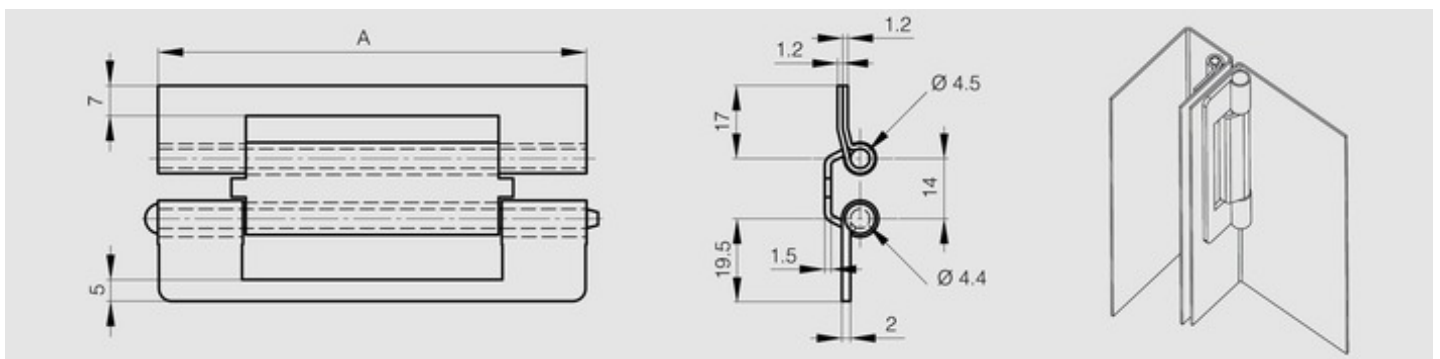


## Concealed hinge with removable pin - 180° opening

Model : 73-1-3504



Patented concealed hinge for metallic enclosures with a 180° opening.  
Removable pin makes disassembly of doors easy.  
Product data sheet with mounting instructions available on request or on our website.  
Door thickness max: 1 mm.



Material	steel
Finish	raw
A (length)	100
Weight (g)	123
Opening angle	180
Material	steel
Functions	concealed