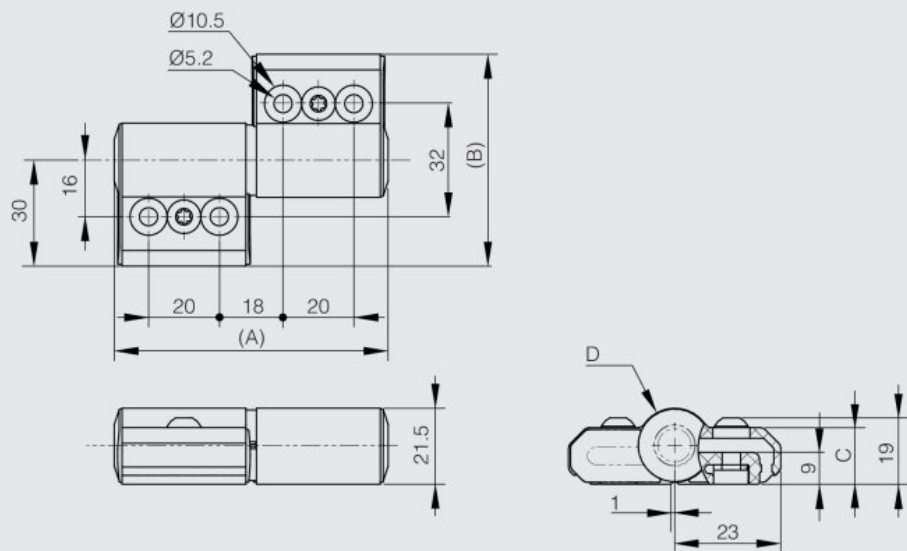


## One way torque hinge - constant torque 9 N.m / set

Model : 72-7-4251



- Aluminium torque hinge.
- Friction in one direction only: allows for frictionless handling of the door in the opposite direction.
- Tested over 30,000 cycles.
- Torque is constant in torque direction.
- Sold in pairs (left / right).
- Ideal to prevent shock to the door and / or safety.
- Torque moment (per set): 9 N.m.
- Initial torque may vary from -20% to +40%.
- Not suited for vibration environment.
- Torque will be affected by temperature.
- Do not lubricate.
- For indoor use only.
- Body in aluminium, shaft in stainless steel, sleeve and cover in polyacetal (POM).



Material	aluminium
Finish	clear anodised
A (length)	77.5
D (pin diameter)	21
B (width)	60
C	16
Weight (g)	270
Opening angle	270
Note	torque in the anti clockwise direction##NewLine##sold in pairs
Material	aluminium
Functions	friction hinges

Torque

9 N.m / set