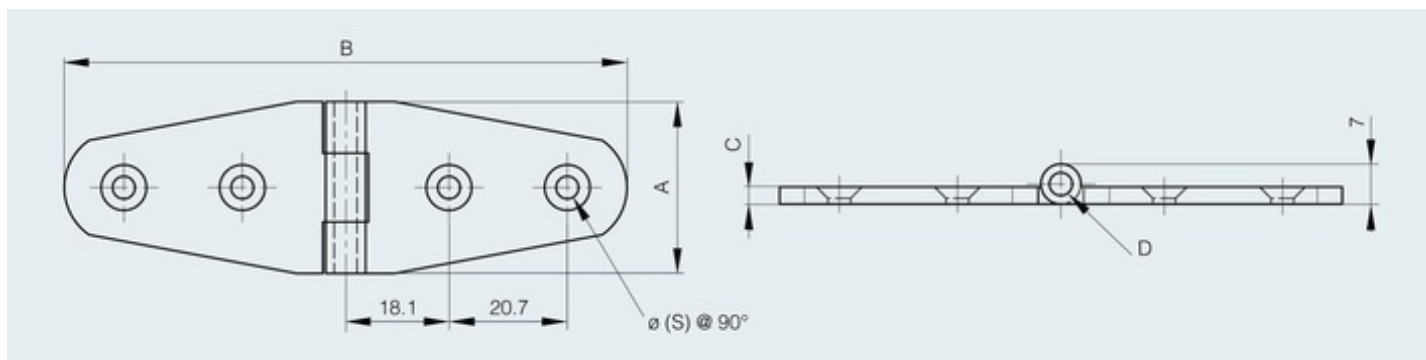


Brass hinge - 30 x 98.5 mm

Model : 72-7-3725



304 stainless steel pin.
Same shape available for hasp 72-7-3726.



Material	brass
Finish	chrome plated
A (length)	30
B (width)	98.5
D (pin diameter)	4
C	3
Weight (g)	56.5
Opening angle	270
S	4
Material	brass
Functions	free swing hinges