

Spring hinges - aluminium profile 3.80 N.m

Model : 72-1-4258



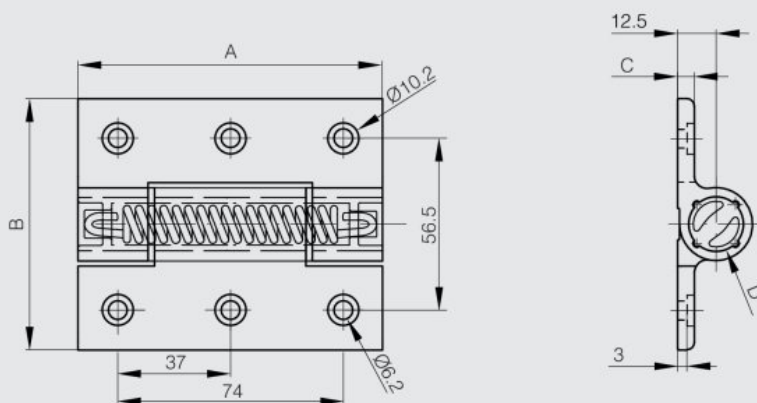
Opening spring force:

M(0°): 3.80 N.m / M(90°): 3.10 N.m / M(180°): 2.40 N.m

Closing spring force:

M(0°): 2.20 N.m / M(90°): 2.90 N.m / M(180°): 3.50 N.m

Free swinging hinge without spring available (part number: 72-1-4241 in colorless or 72-1-4242 in black).



Material	6082 T5 alu
Finish	clear anodised
A (length)	100
D (pin diameter)	18
B (width)	82.5
C	5.5
Weight (g)	183
Opening angle	270
Note	closing spring
Material	aluminium
Functions	spring hinges