

Heavy duty aluminium profile hinges

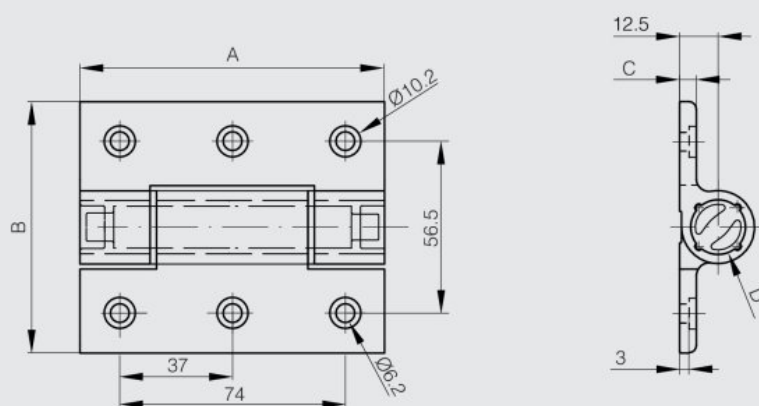
Model : 72-1-4242



Free swinging hinge.

It has the same footprint and design as the spring hinge for heavy duty applications (part numbers: 72-1-4231, 72-1-4232, 72-1-4258 and 72-1-4259).

All are fully interchangeable.



Material	6082 T5 alu
Finish	black anodised
A (length)	100
B (width)	82.5
D (pin diameter)	24
C	5.5
Weight (g)	148
Opening angle	270
Material	aluminium
Functions	free swing hinges