

Hi-Klik™ detent hinges - small

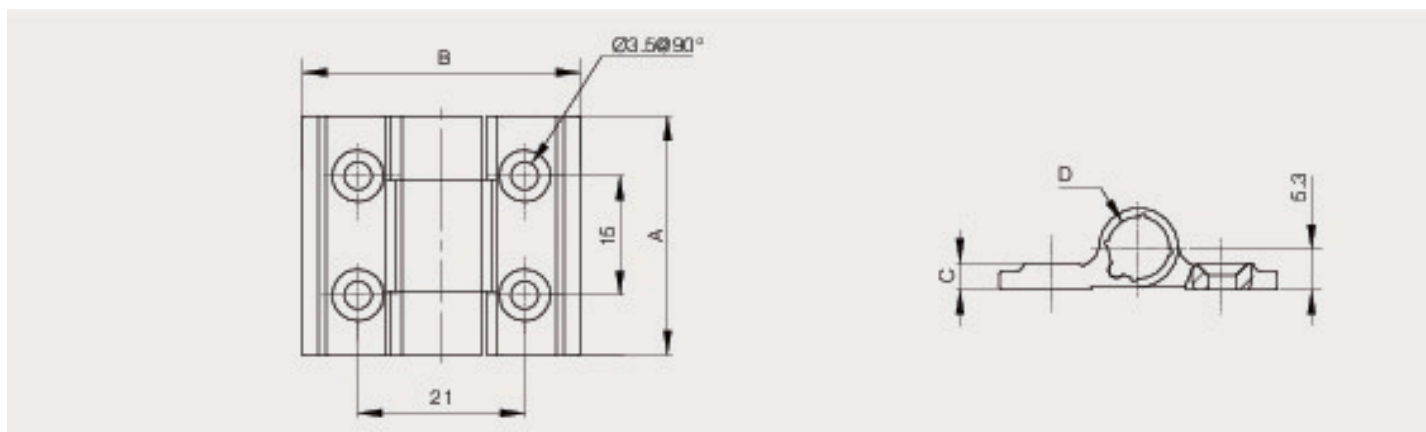
Model : 72-1-4236



Indented every 30°.

Torque is preset.

2 different versions available: with spring or with friction mechanism.



Material	6060 T5 alu
Finish	black anodised
A (length)	30
D (pin diameter)	8
B (width)	35
C	3.3
Weight (g)	10
Opening angle	270
Material	aluminium
Functions	detent hinges
Torque	0.4 N.m