



HI-KLIK™ DETENT HINGES - LARGE

72-1-4225

Indented every 30°. 4 torque values.

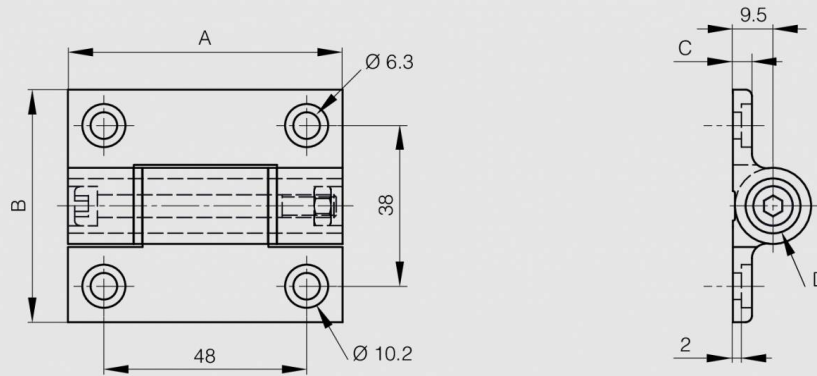
Torque is preset.

3 other versions available: free swinging, with spring or with friction mechanism.

A full product data sheet is available on our website.

Material	6060 T5 alu
Finish	black anodised

Weight (g)	107 g
Torque	3.2 N.m N.m
Opening angle	270 °
Functions	detent hinges



A (length)	67 mm
B (width)	55 mm
C	4.5 mm
D (pin diameter)	13