

## Hi-Klik™ detent hinges - large

Model : 72-1-4197

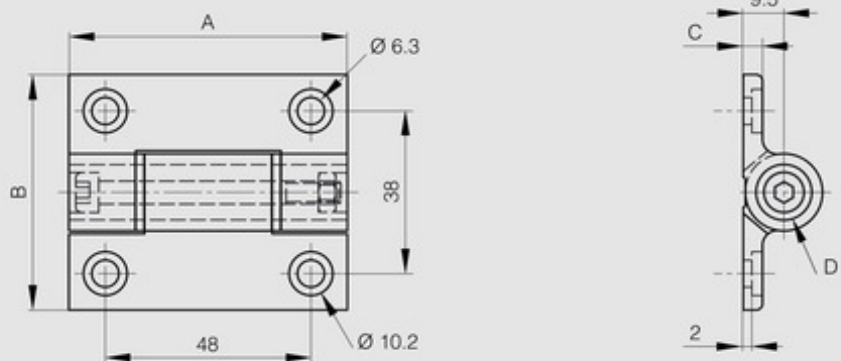


Indented every 30°. 4 torque values.

Torque is preset.

3 other versions available: free swinging, with spring or with friction mechanism.

A full product data sheet is available on our website.



Material	6060 T5 alu
Finish	black anodised
A (length)	67
B (width)	55
D (pin diameter)	13
C	4.5
Weight (g)	106
Opening angle	270
Material	aluminium
Functions	detent hinges
Torque	1.8 N.m