

Concealed hinges with spring - 95° opening

Model : 71-1-3867



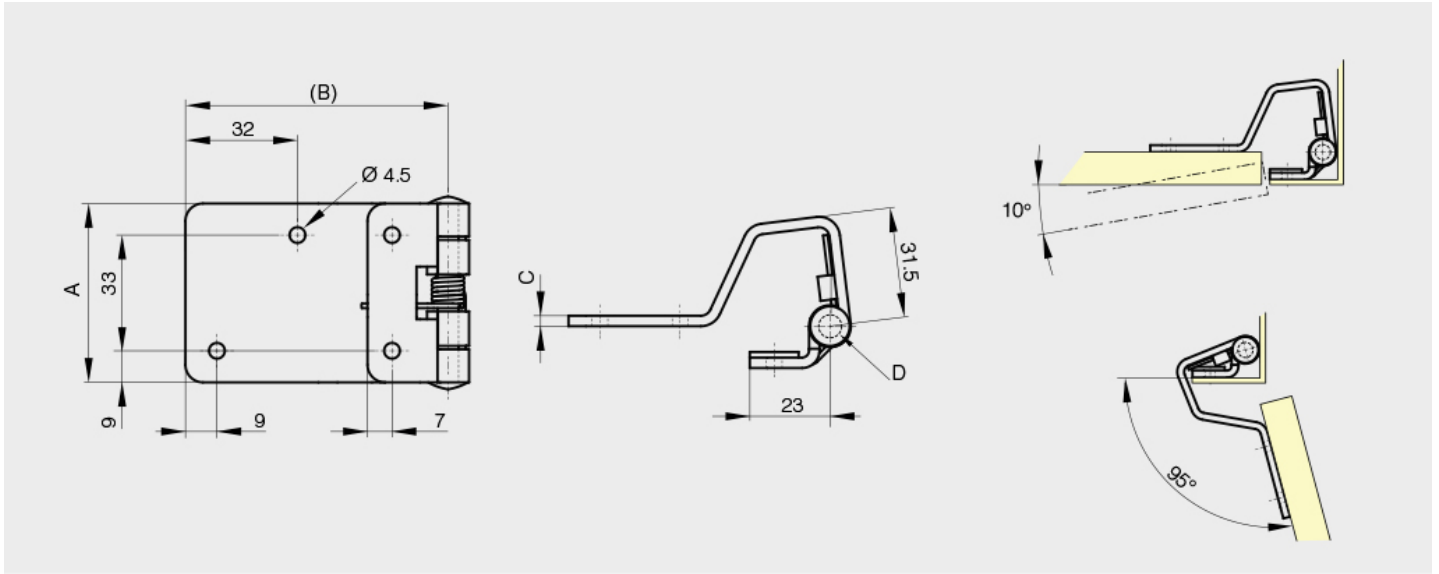
Concealed hinges with 2 positions:

- Closing position: door remains open with an angle of 10°.
- Opening position: door opens up to 95°.

Closing of door due to spring action and door remains slightly opened.

Applications for parcel box:

- Door automatically opens after code entry.
- Door doesn't remain in opening position.



Material	304 stainless steel
Finish	raw
A (length)	51
D (pin diameter)	6
B (width)	75
C	3
Weight (g)	200
Material	stainless steel
Functions	concealed