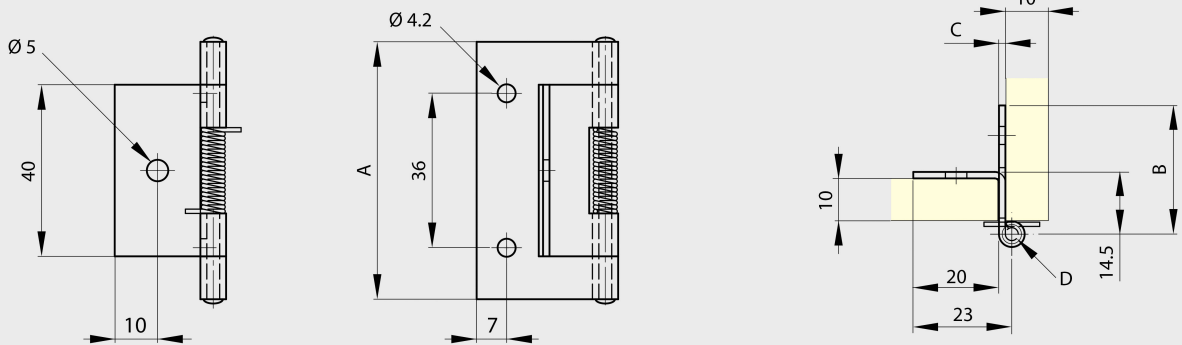


Cranked spring hinge 60 mm long

Model : 71-1-3622



A full product data sheet is available on our website.



Material	316 stainless steel
Finish	raw
A (length)	60
D (pin diameter)	3
B (width)	30
C	1.5
Weight (g)	40
Opening angle	180
Note	closing spring
Material	stainless steel
Functions	spring hinges