

Spring hinges 160 mm long

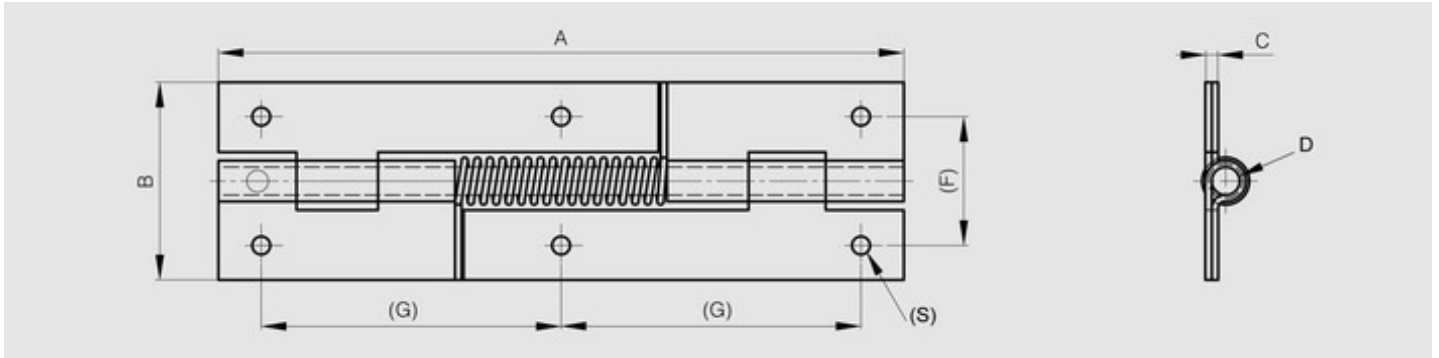
Model : 71-1-3618



Opening spring force for part numbers 71-1-3580 and 71-1-3581:
M(0°): 0.9 N.m / M(90°): 0.86 N.m / M(180°): 0.6 N.m

Closing spring force for part numbers 71-1-3618 and 71-1-3835:
M(0°): 0.12 N.m / M(90°): 0.44 N.m / M(180°): 0.55 N.m

Punched pin.



Material	steel
Finish	raw
A (length)	160
D (pin diameter)	6.5
B (width)	46
C	3
Weight (g)	208
G (pitch)	70
F (pitch)	30
Opening angle	270
Note	stainless steel closing spring
S	4.2
Material	steel
Functions	spring hinges