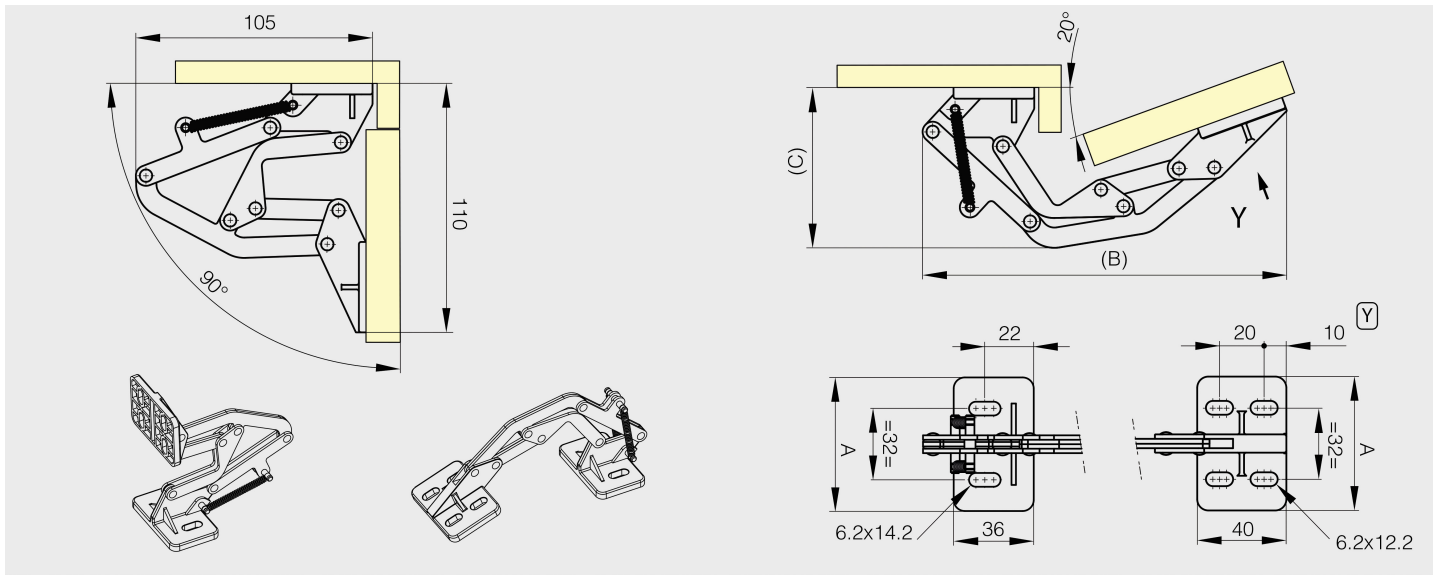


## Spring loaded concealed hinge - 110° opening

Model : 71-1-3611



For horizontal application only.  
Fixing plate in polymer.



Material	steel
Finish	black zinc plated
A (length)	60
B (width)	162.4
C	71.4
Weight (g)	132
Opening angle	110
Material	steel
Functions	concealed