

## Swivel torque hinge with hole diameter 34 mm - torque 7 N.m

Model : 70-7-3638

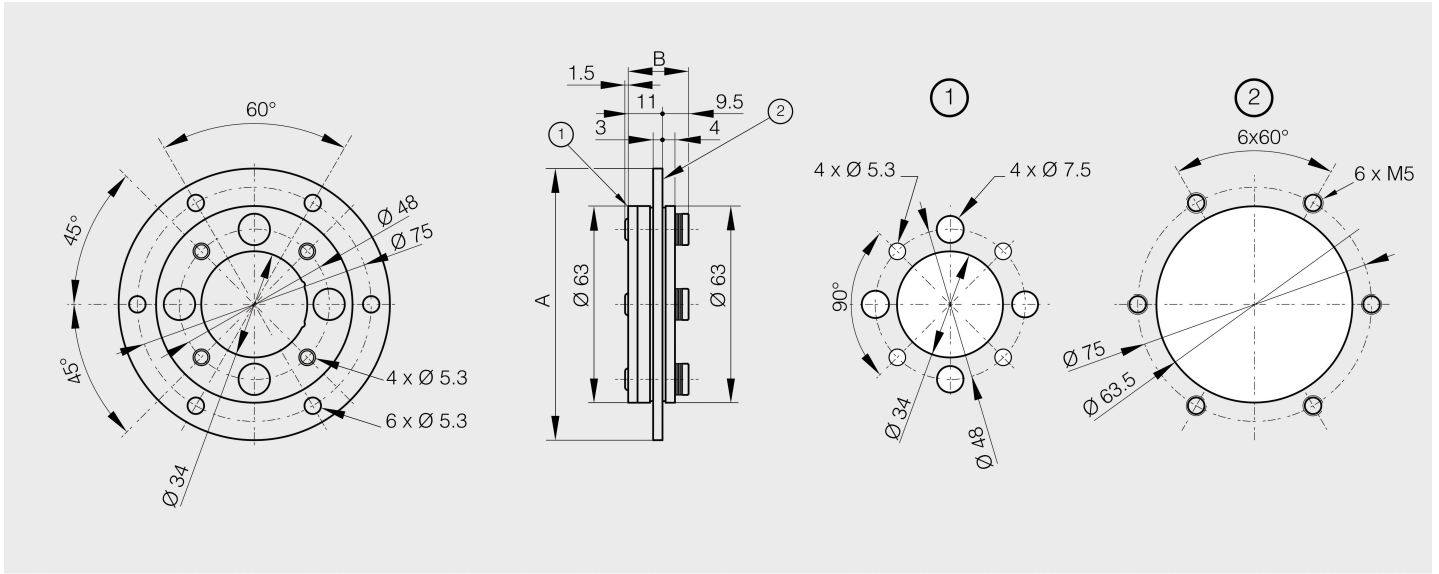


Rotation angle: 360°.

Friction torque: 7 N.m.

Center hole for easy cable management.

For indoor applications (industrial control panels and monitors).



|               |                     |
|---------------|---------------------|
| Material      | 430 stainless steel |
| Finish        | polished            |
| A (length)    | 87                  |
| B (width)     | 20.5                |
| Weight (g)    | 282                 |
| Opening angle | 360                 |
| Material      | stainless steel     |
| Functions     | friction            |
| Torque        | 7 N.m               |