

Swivel torque hinge with hole diameter 21.5 mm - torque 5 N.m

Model : 70-7-3637

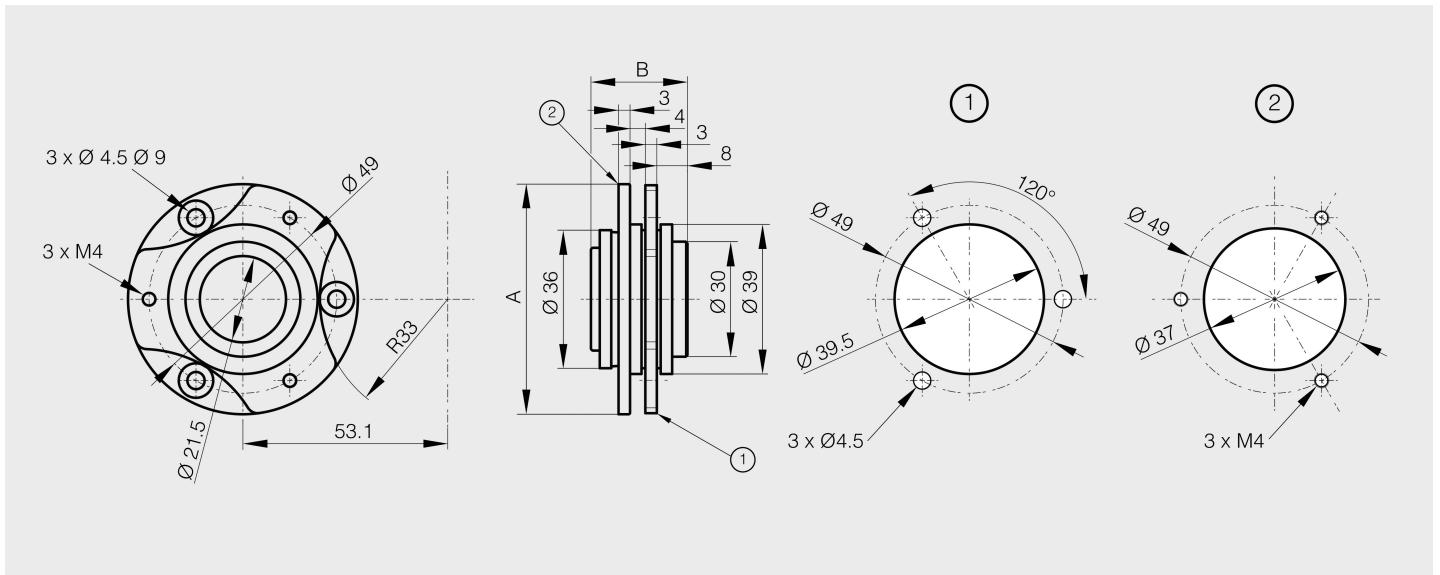


Rotation angle: 360°.

Friction torque: 5 N.m.

Center hole for easy cable management.

For indoor applications (industrial control panels and monitors).



Material	430 stainless steel
Finish	polished
A (length)	60
B (width)	25
Weight (g)	174
Opening angle	360
Material	stainless steel
Functions	friction
Torque	5 N.m