

## Swivel torque hinge - torque 2 N.m

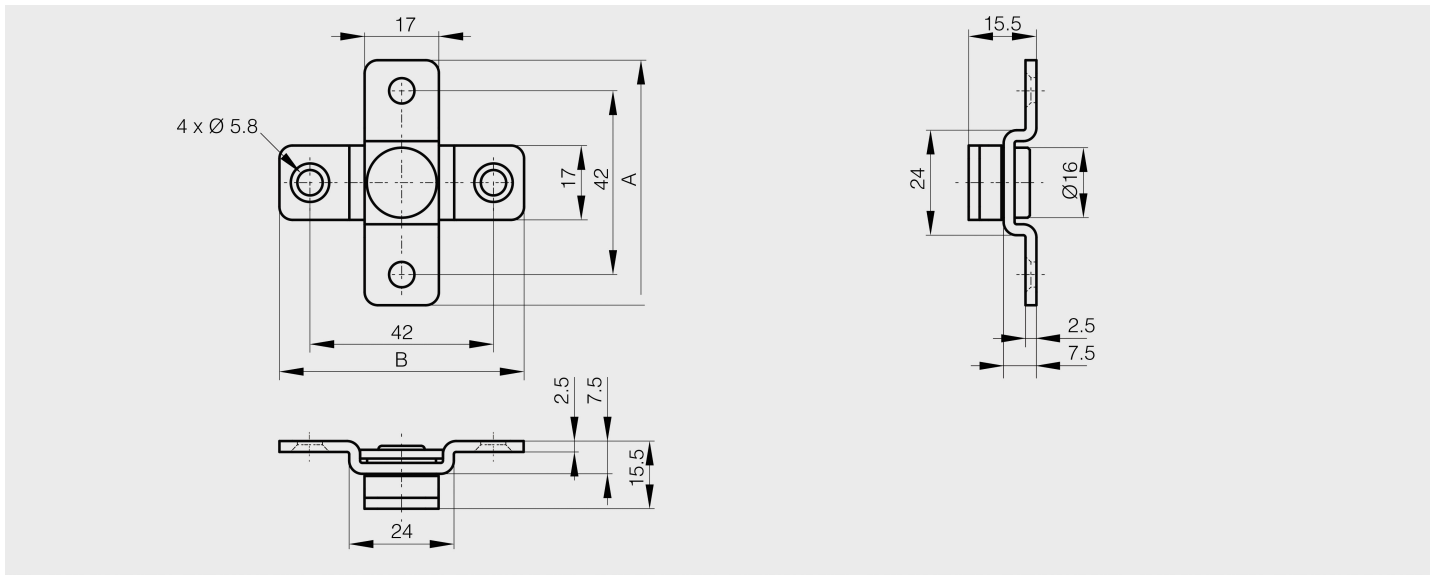
Model : 70-7-3636



Rotation angle: 360°.

Friction torque: 2 N.m.

For indoor applications (industrial control panels and monitors).



Material	430 stainless steel
Finish	polished
A (length)	56
B (width)	56
Weight (g)	49
Opening angle	360
Material	stainless steel
Functions	friction
Torque	2 N.m