

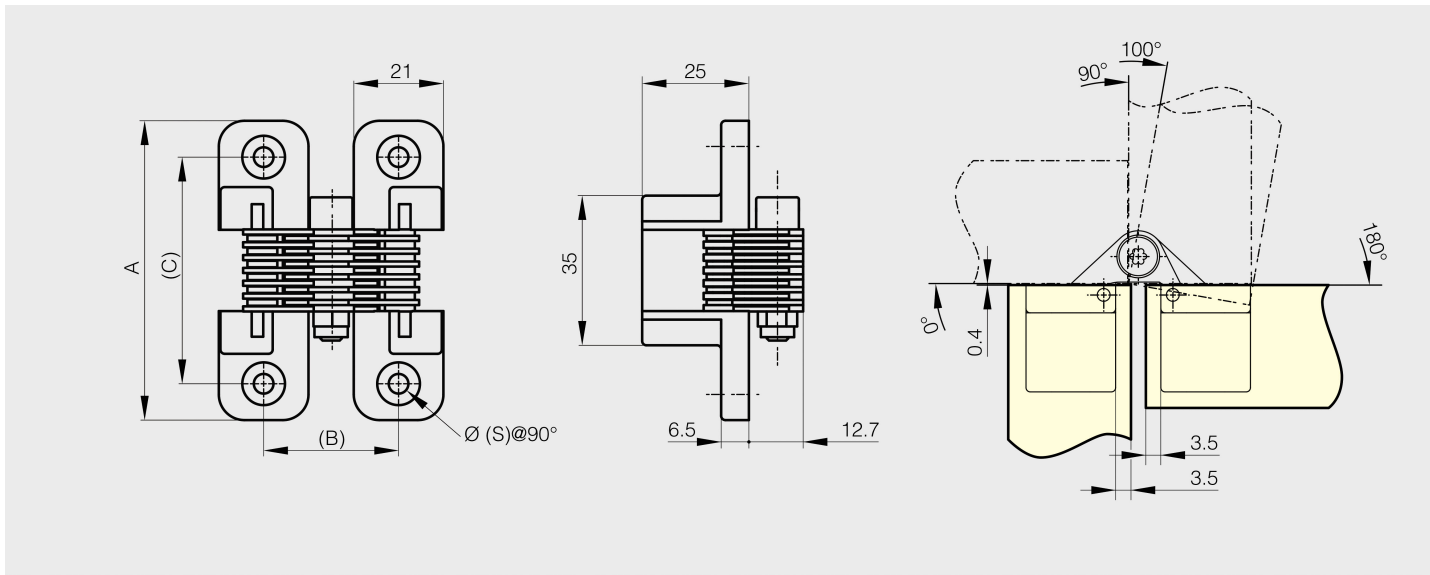
## Concealed hinge with friction - 180° opening

Model : 70-7-3635



180° opening angle.

Free stop for safety. Maximum friction torque of 5 N.m for one hinge (when lid is closed). Torque decreases as the opening angle increases, making easier to open the lid.



Material	zinc die-cast
Finish	chrome plated satin
A (length)	70
B (width)	31.6
C	53
Weight (g)	160
Opening angle	180
S	4.6
Material	zinc die-cast
Functions	concealed