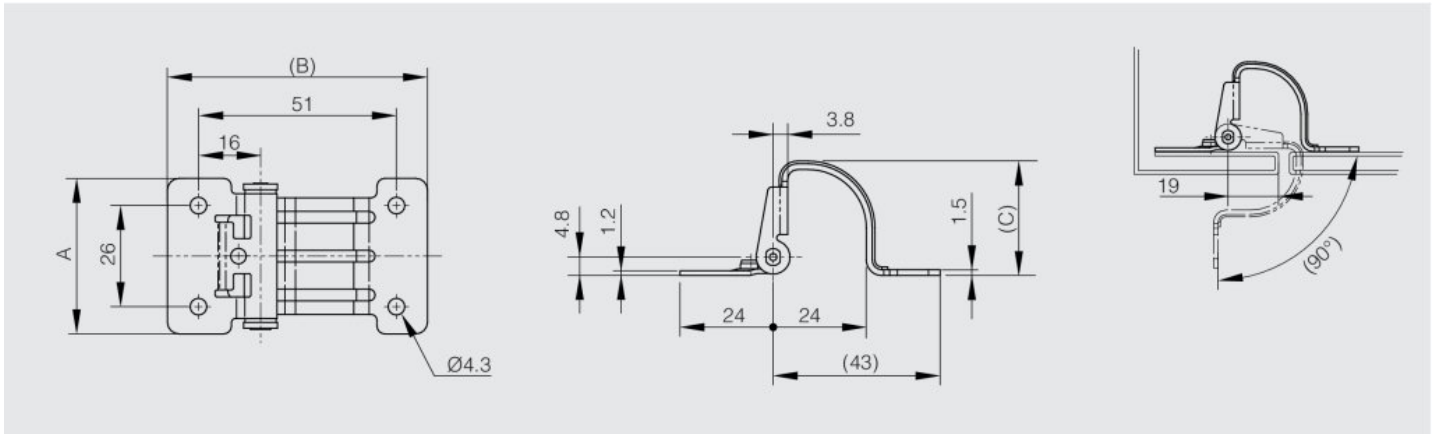


Concealed hinge with friction - 90° opening

Model : 70-7-3623



Initial torque (0.7 N.m) may vary from -20% to +40%.
For indoor use only.
Can be used both for horizontal and vertical applications.



Material	304 stainless steel
Finish	polished
A (length)	40
B (width)	67
C	29.5
Weight (g)	50
Opening angle	90
Material	stainless steel
Functions	concealed
Torque	0.7 N.m