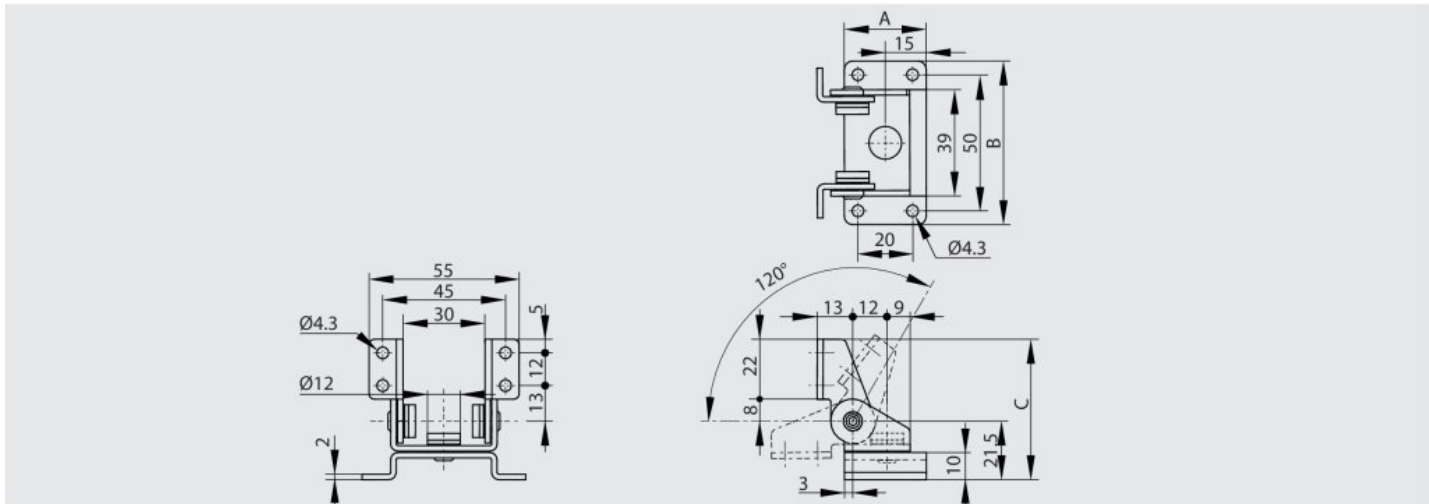


## Dual axis torque hinge - 30 x 60 mm

Model : 70-7-3622



- Dual axis: free stop at any angle in tilt & swivel.
- Provide torque stability in both directions.
- Torque per piece (tilting): 2.9 N.m.
- Torque per piece (swiveling): 1.4 N.m.
- Suitable for monitor screens.
- Rotation upon axis X can occur from 0° to 180°.
- Rotation upon axis Z can occur up to 360°.



Material	430 stainless steel
Finish	polished
A (length)	30
B (width)	60
C	51.5
Weight (g)	92
Opening angle	270
Material	stainless steel
Functions	dual axis
Torque	2.9 N.m (axis X) / 1.4 N.m (axis Z)