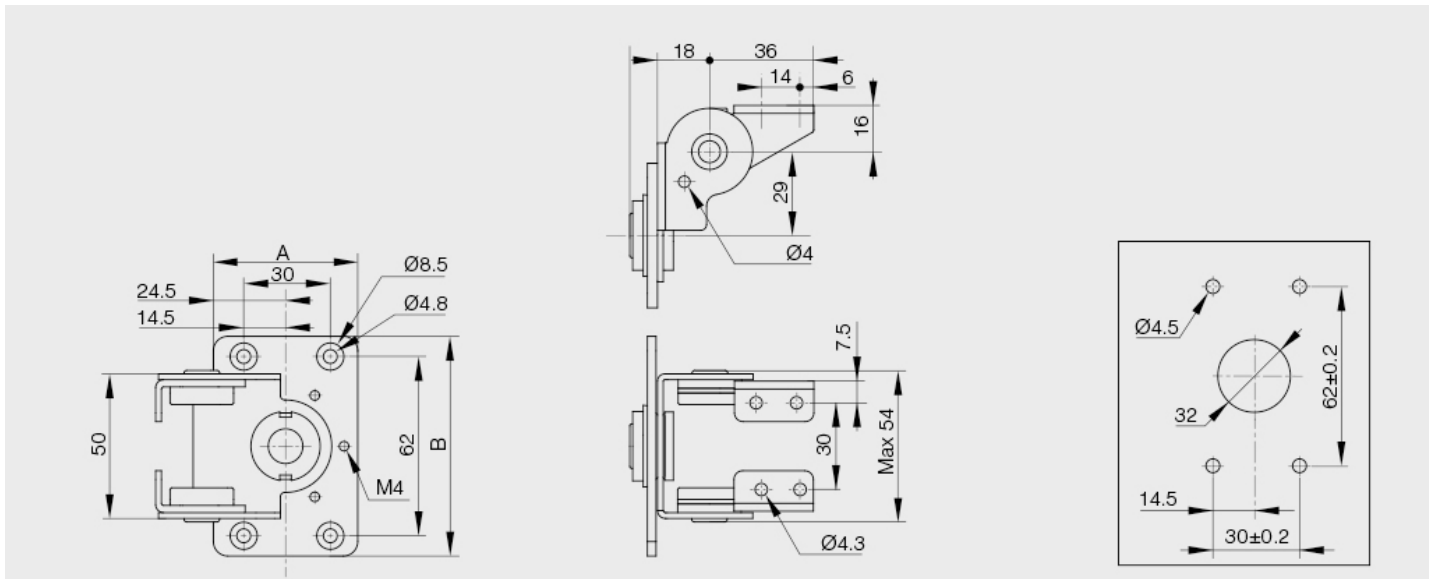


Dual axis torque hinge - 50 x 76 mm

Model : 70-7-3621



- Dual axis: free stop at any angle in tilt & swivel.
- Provide torque stability in both directions.
- Torque per piece (tilting): 7 N.m.
- Torque per piece (swiveling) 3 N.m.
- Suitable for monitor screens.
- Rotation upon axis X is free but can be blocked from 0° to 120° with an additional pin.
- Rotation upon axis Z is free but can be blocked at 30° or 90° with additional pins (various holes in the fixing plate).
- Electric cables can go through a hole in the middle of the fixing plate.



Material	430 stainless steel
Finish	polished
A (length)	50
B (width)	76
Weight (g)	232
Opening angle	270
Material	stainless steel
Functions	dual axis
Torque	7 N.m (axis X) / 3 N.m (axis Z)