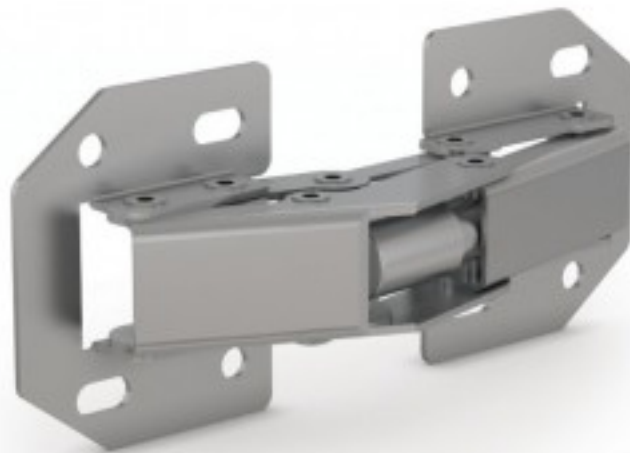
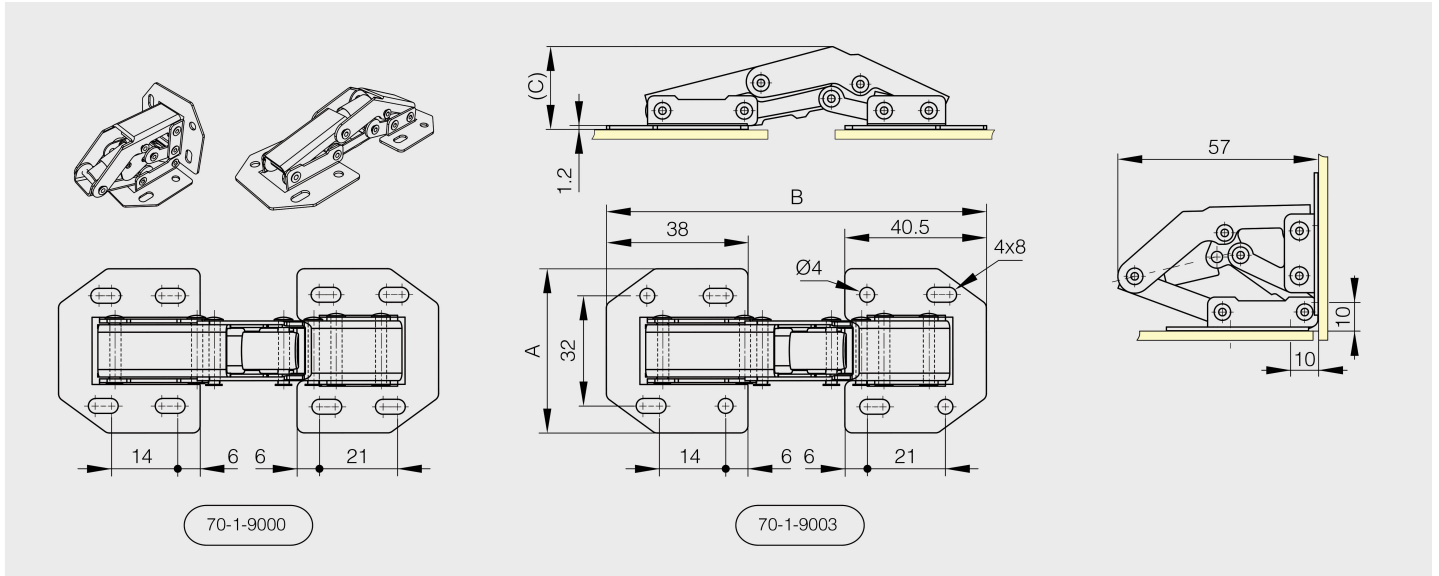


Spring loaded concealed hinges - 90° opening

Model : 70-1-9003





Material	steel
Finish	nickel plated
A (length)	44
B (width)	104.5
C	26
Weight (g)	70
Opening angle	90
Material	steel
Functions	concealed