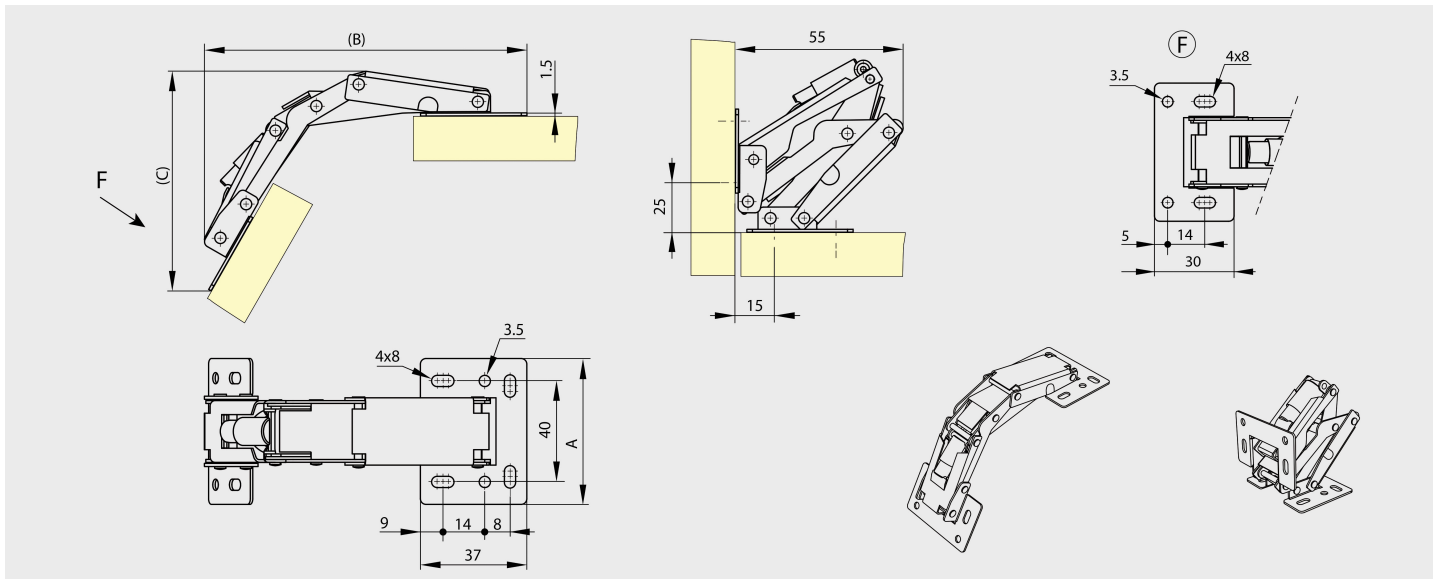


Spring loaded concealed hinges - 150° opening

Model : 70-1-9002



For door thickness max: 20 mm.



Material	304 stainless steel
Finish	raw
A (length)	52
B (width)	121
C	73.5
Weight (g)	140
Opening angle	130
Material	stainless steel
Functions	concealed