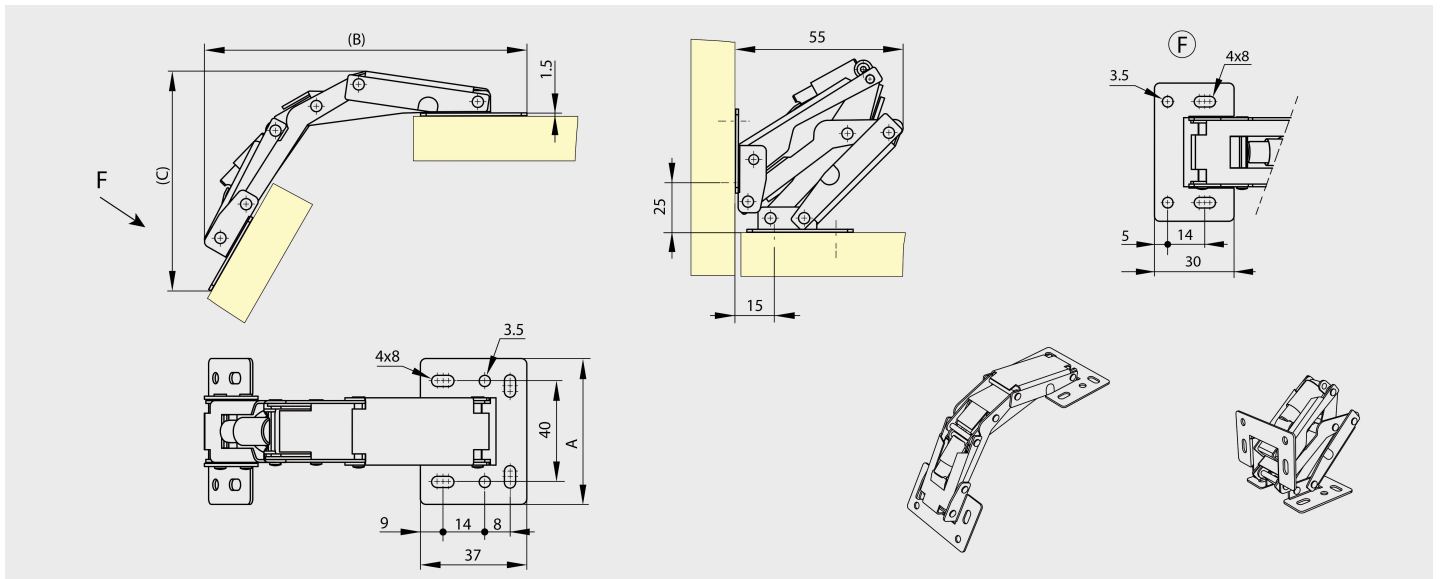


Spring loaded concealed hinges - 150° opening

Model : 70-1-9001



For door thickness max: 20 mm.



Material	steel
Finish	nickel plated
A (length)	52
B (width)	121
C	73.5
Weight (g)	140
Opening angle	150
Material	steel
Functions	concealed