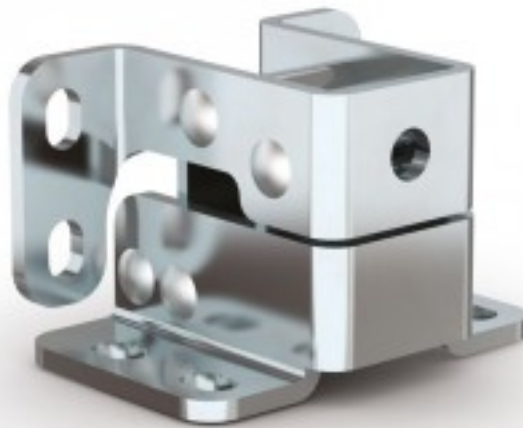


Concealed hinges - 125° opening

Model : 70-1-3640



Links in aluminium.

Pins in 430 stainless steel for 70-1-3639.

Pins in 304 Cu stainless steel for 70-1-3640.

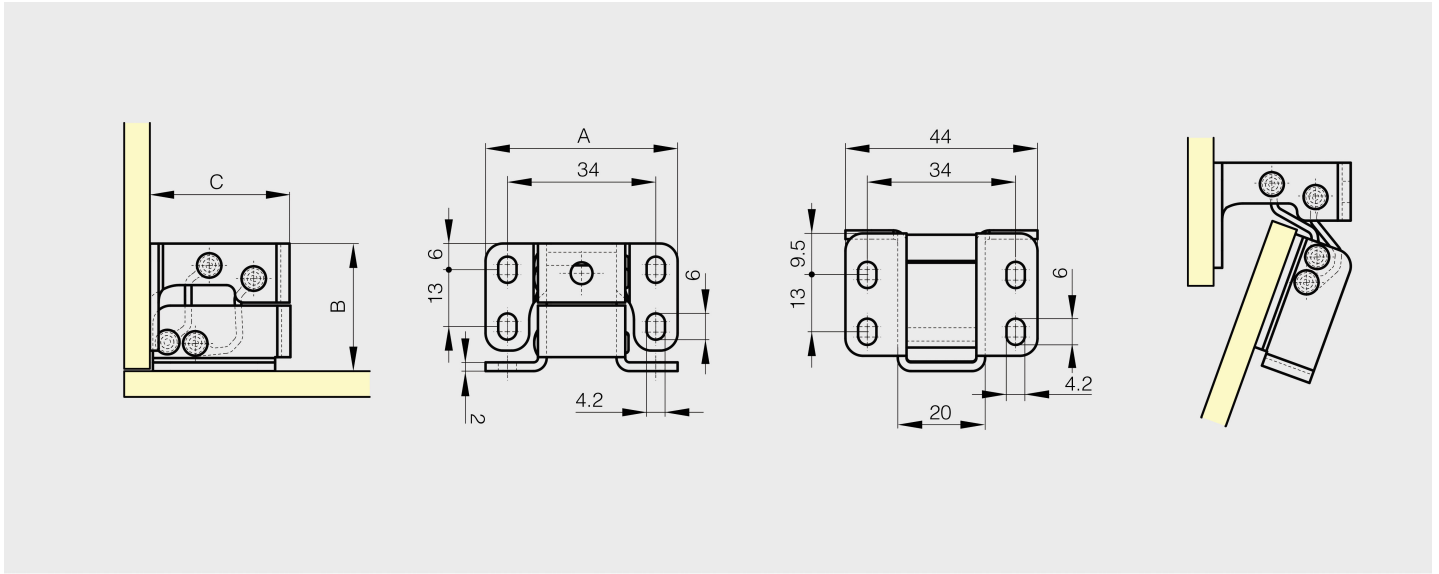
Mounting features:

- For nested doors or surface mounted doors.
- LH or RH options.
- For horizontal or vertical applications.

Opening angle differs according to door thickness:

- 2 mm thickness: opening angle of 125°.
- 8 mm thickness: opening angle of 110°.
- 13 mm thickness: opening angle of 100°.

Please ask us for bespoke solutions.



Material	316L stainless steel
Finish	raw
A (length)	44
B (width)	29
C	32
Weight (g)	60
Opening angle	125
Material	stainless steel
Functions	concealed