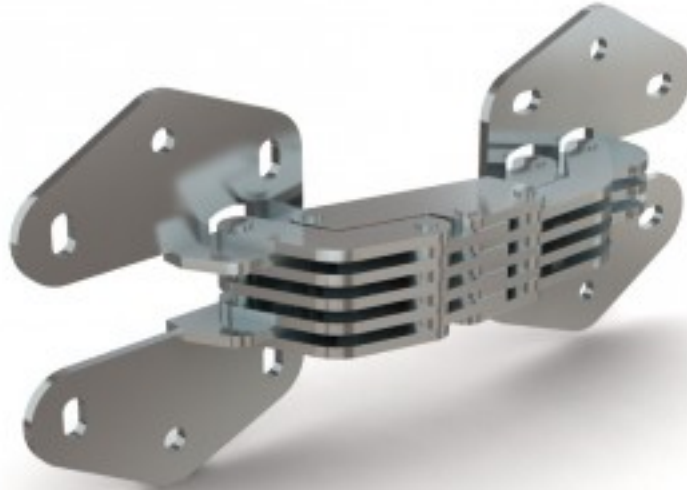


## Concealed hinge C - 90° opening

Model : 70-1-3626



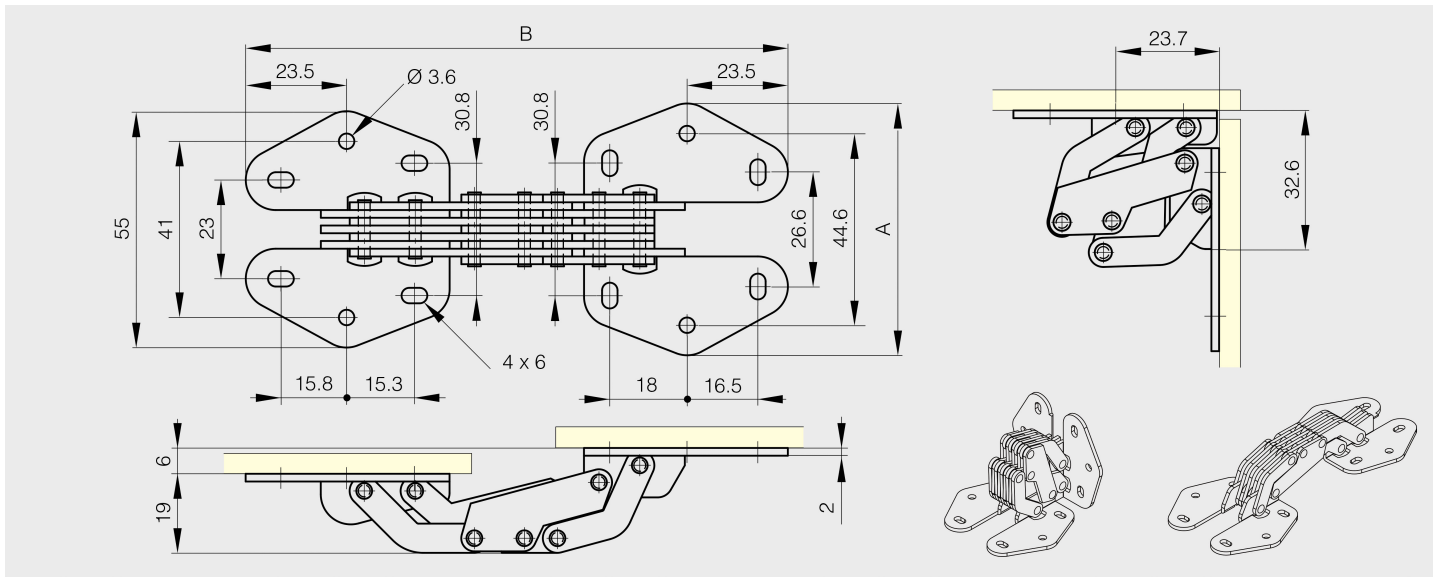
### Main features:

- For nested doors or surface mounted doors.
- High resistance to bending and twisting.
- For horizontal or vertical applications.
- 90° opening max.

Door thickness max. 20mm.

Minimal gap of 0.5 to 1.5mm between door and frame.

A full product data sheet is available on our website.



Material	steel
Finish	zinc plated
A (length)	58.6
B (width)	126.5
Weight (g)	150
Opening angle	90
Material	steel
Functions	concealed