

## Concealed hinge - 110° opening

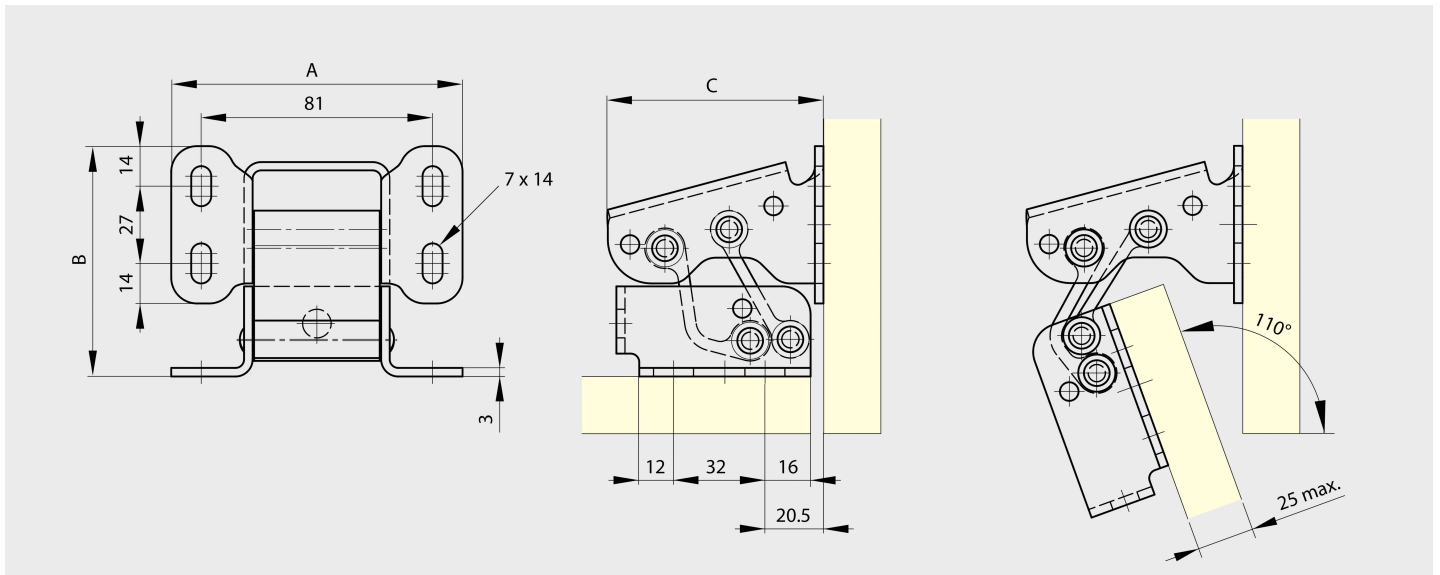
Model : 70-1-3557



Heavy duty concealed hinge.

Tested to 10,000 cycles using 2 hinges with a door weight of 25 kg measuring 1 m x 1 m.

Links in anodised aluminium.



Material	steel
Finish	zinc plated
A (length)	102
B (width)	80.5
C	76
Weight (g)	520
Opening angle	110
Material	steel
Functions	concealed