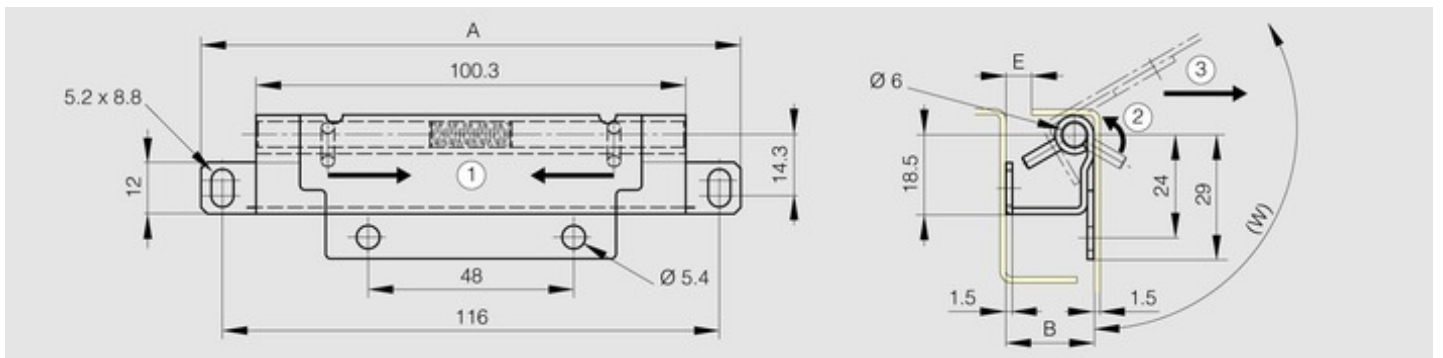


Concealed hinges with retractable pin

Model : 62-1-9002



Quick-release concealed hinge for tool-free door removal with fixed retractable pin.



Material	stainless steel
Finish	raw
A (length)	126
B (width)	23.9
E	4.5
Weight (g)	100
Opening angle	112
Material	stainless steel
Functions	concealed
W (opening angle)	112°