



**HINGE WITH OR WITHOUT FRICTION IN
STAINLESS STEEL - FRICTION TORQUE 8
N.M**

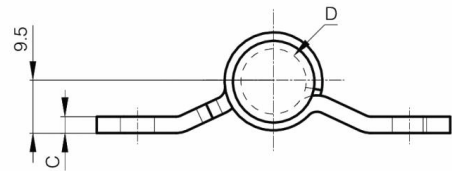
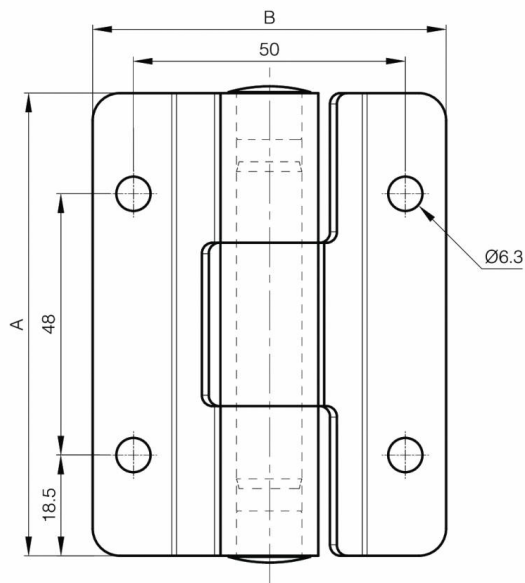
62-1-3732

Constant torque.

Pin in steel.

Cap in polyethylene.

Material	301 stainless steel
Finish	raw
Pin material	stainless steel
Note	with friction
Weight (g)	230 g
Torque	8 N.m N.m
Opening angle	270 °
Functions	



A (length)	85 mm
B (width)	65 mm
C	3 mm
D (pin diameter)	12
S	6.3 mm