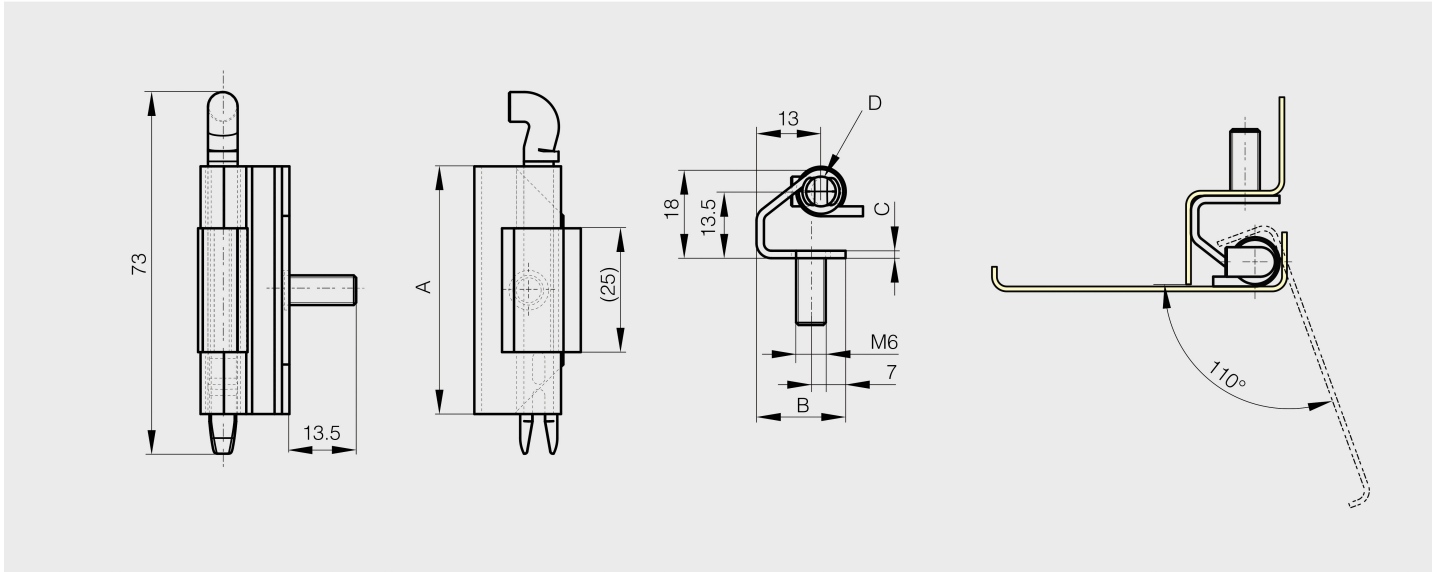


## Concealed hinge with removable pin - 110° opening

Model : 60-1-3918



Male leaf in raw steel.  
Female leaf in zinc plated steel with stud.  
Removable pin in POM.



Material	steel
Finish	raw / zinc plated
A (length)	50
B (width)	18
C	2
Weight (g)	40
Opening angle	110
Note	male leaf in raw steel
Material	steel
Functions	concealed
Pin	POM pin